

Overview

The Designo wooden loft ladder perfectly balances aesthetics with strength and quality. The three-part folding heavy-duty wooden loft ladder is contained within, and attached to, an insulated wooden hatch box. It offers excellent energy efficiency (0.60 W/m²K) thanks to a highly insulated trapdoor with six-point locking mechanism providing a Class 4 certified airtight seal. It is also fitted with the patented WDL sealing and insulation tape, which provides a perfect seal between the hatch box and building and saves time during installation.

High Strength | Airtight | Ease of Use | Highly Insulated | Passive House Option Available



Product Materials & Finish

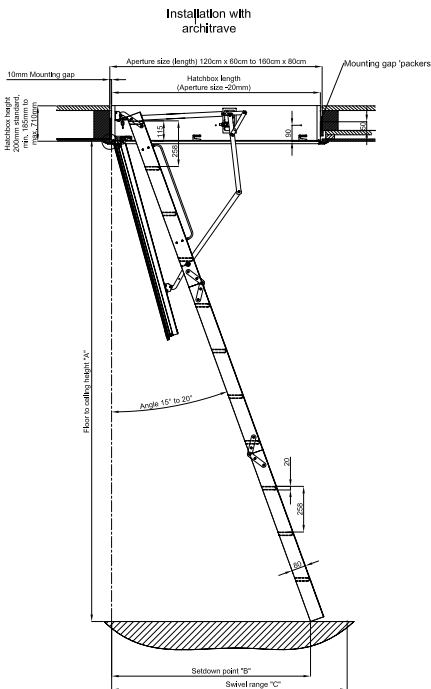
- Wooden folding ladder structure. Steel fixings throughout
- Hatch Box; ply board (18mm)

Performance

- High energy efficiency (U-value of 0.60 W/m²K, calculated by manufacturer according to DIN EN ISO 6946)
- Certified Class 4 airtightness
- Load capacity of 180 kg per step

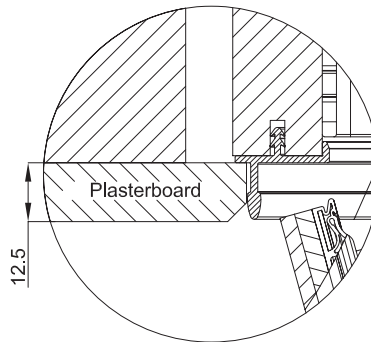
Quality

- Manufactured and tested to EN 14975 (certified by TÜV SÜD)
- Class 4 airtightness tested in accordance to DIN EN 12207 by IFT Rosenheim
- Supplied with a manufacturer's 2-year full warranty and 10-year parts warranty



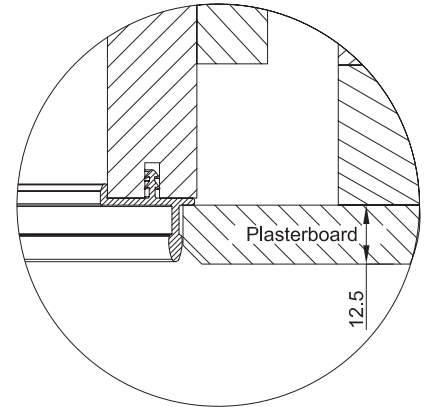
Drawings not to scale.

DETAIL C
Scale: 1:1



Edge detail:
Without suspended ceiling

DETAIL D
Scale: 1:1



Edge detail:
With suspended ceiling

Floor to ceiling height "A" 2300 - 2800. All dimensions in mm.			
Angle	Floor to ceiling range	Set down point "B"	Swivel range "C"
15°	2400 - 2550	850 - 890	1523
16°	2380 - 2530	892 - 935	1540
17°	2370 - 2520	937 - 983	1557
18°	2350 - 2500	978 - 1027	1574
19°	2340 - 2480	1023 - 1071	1591
20°	2300 - 2460	1057 - 1116	1607
15°	2660 - 2800	920 - 957	1523
16°	2650 - 2790	969 - 1010	1540
17°	2630 - 2780	1016 - 1062	1557
18°	2620 - 2760	1066 - 1112	1574
19°	2600 - 2740	1113 - 1161	1591
20°	2560 - 2720	1152 - 1210	1607

Floor to ceiling height "A" 2810 - 3300. All dimensions in mm.			
Angle	Floor to ceiling range	Set down point "B"	Swivel range "C"
15°	2930 - 3070	992 - 1030	1740
16°	2910 - 3050	1044 - 1084	1761
17°	2890 - 3040	1096 - 1142	1781
18°	2880 - 3020	1147 - 1196	1802
19°	2860 - 3000	1202 - 1251	1822
20°	2840 - 2980	1254 - 1305	1842
21°	2820 - 2960	1306 - 1359	1862
22°	2810 - 2940	1357 - 1414	1882
15°	3190 - 3300	1062 - 1091	1740
16°	3180 - 3290	1122 - 1153	1761
17°	3160 - 3270	1178 - 1212	1781
18°	3140 - 3250	1235 - 1271	1802
19°	3120 - 3230	1292 - 1330	1822
20°	3090 - 3210	1345 - 1389	1842
21°	3070 - 3190	1402 - 1434	1862
22°	3050 - 3160	1458 - 1503	1882

Environment and sustainability

Red listed components - none

Recyclability - Wooden components can be easily recycled