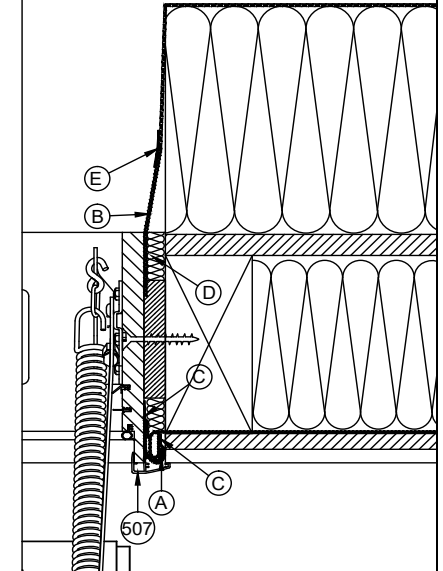


D




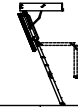
LWT PH:

- A - airtight collar
- B - air permeable collar
- C - one-sided adhesive tape
- D - sheep wool blocks
- E - one-sided adhesive tape - Investor

- 78 - spring
- 80 - tread
- 84 - insulated hatch
- 85 - loft ladder angle
- 86 - hinge
- 88 - side support
- 90 - handrail LXH
- 93 - stile ends LXS
- 94 - stringer
- 507 - architrave linings LXL

E	S	G
Tread length	Tread width	Distance between treads
[cm]	[cm]	[cm]
34	8	25

LWT PH - dimensions								
H	A	B	K	R	C	P	T	WxL
Maximum room height	Ceiling opening width	Ceiling opening height	Folded ladder height	Swing space	Distance after ladder unfolding	Match retraction after opening	Box height	Box internal dimensions
[cm]	[cm]	[cm]	[cm]	[cm]	[cm]	[cm]	[cm]	[cm]
280	62	122	33	164	130	4.5	22	58x118.4
	72	122						68x118.4
	72	132						68x128.4
	72	142						68x138.4
305	62	132	178	137	137	4.5	22	58x128.4
	72	132						68x128.4
	72	142						68x138.4

FAKRO		LWT PH	
			
Rysunek techniczny: Schody strychowe supertermoizolacyjne LWT PH	FORMAT: A3	SKALA: 1:20/1:5	DATA: 11.2017