

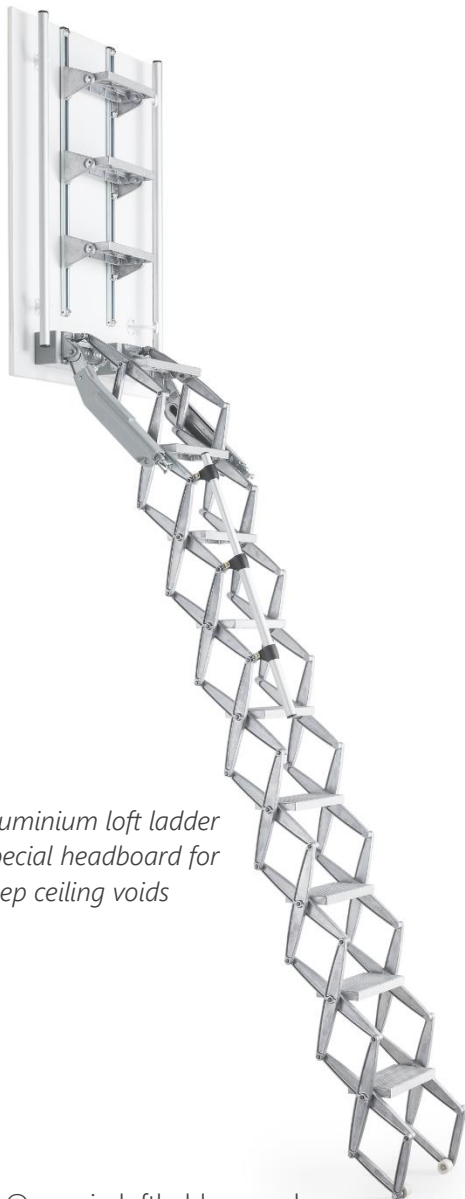


Elite Retractable Loft Ladder...



... strength, durability and ease of operation

The Elite heavy duty aluminium loft ladder is ideal for a renovation project or replacement of an old loft ladder as it can be conveniently installed within an existing ceiling opening or hatch box. It is manufactured from quality die-cast aluminium alloy components for strength and light-weight operation.



*Elite aluminium loft ladder
with special headboard for
deep ceiling voids*

Key benefits at a glance

- High strength, heavy duty.
- Load capacity of 200kg per step.
- Ease of use, requiring operating forces of less than 3kg.
- Space-saving retractable loft ladder for small ceiling openings.
- Ideal for retro-fit applications.
- Supplied without a hatch.
- Large steps for comfort and safety.
- Available in standard sizes or made-to-order with a wide range of options and accessories.

Key features

Material:	Pressure die-cast aluminium
Operation:	Spring-assisted retractable ladder
Load capacity:	200kg per step
U-value:	N/A
Air permeability:	N/A
Max floor-to-ceiling height:	3.39m
Quality:	Compliant to EN 14975 (DN 4570)
Warranty:	2-year full warranty and 10-year parts warranty



Space-saving retractable (concertina) ladder mechanism.

Overview

The Elite aluminium loft ladder is supplied as a ready to fit unit, manufactured from high strength die-cast aluminium alloy components. It is supplied assembled to a fascia board that can be easily installed within an existing hatch box or directly to the ceiling timbers or masonry. The Elite features two heavy duty counter-balanced springs incorporated into pivot brackets to ensure that it can be raised and lowered with a minimum of effort, requiring an operating force of less than 3kg. Large steps and pre-assembled telescopic handrail offer comfort, safety and ease of egress.

Standard features

- Spring-assisted retractable (concertina) loft ladder.
 - Easy to operate, requiring less than 3kg of force to open/close.
- Retractable ladder manufactured from pressure die-cast aluminium.
 - Lightweight
 - Strength
 - Stability
 - Durability
- High strength, heavy duty loft ladder, with a load capacity of 200kg per step.
- Supplied assembled to a fascia board that can be easily installed within an existing hatch box or directly to the ceiling timbers or masonry.
- Available in standard sizes for an opening width of 580mm (or larger) and floor-to-ceiling heights of 2200mm to 3390mm.
- Can be made-to-order in a range of different widths for ceiling openings as narrow as 430mm (contact us for details).
- Large steps / treads for improved safety, comfort and ease of egress.
 - Maximum stair width supplied to fit your opening width
 - Step width ranges from 200mm to 380mm
 - Step depth from 140mm

Optional features

- Available with a high-backboard with height-adjustable steps to enable egress through particularly deep ceiling voids.
- Optional hinge mechanism (pictured) is available to allow the Elite to be utilised in vertical applications, such as on a mezzanine floor or behind a wall hatch.

Accessories

- Retractable ladder powder-coated in RAL colour (pictured here in RAL 9005 Jet Black).
- Spring hardware set is available for customers wishing to manufacture their own ceiling hatch box and trapdoor.



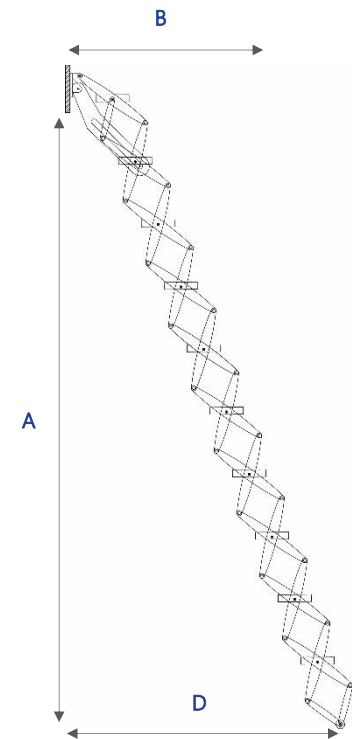
Dimensions

The Elite is available in a range of standard dimensions:

Part number	Ceiling / Vertical application	A Floor-to-ceiling height (mm)	B Minimum opening length (mm)	C Minimum opening width (mm)	D Set down point (mm)
ELI-2500-9T	Ceiling	2500	620	580	1130
ELI-2790-10T	Ceiling	2790	670	580	1240
ELI-3090-11T	Ceiling	3090	750	580	1340
ELI-3390-12T	Ceiling	3390	820	530	1450
ELI-2500-9T-VERT	Vertical	2500	780	580	1130
ELI-2790-10T-VERT	Vertical	2790	830	580	1240
ELI-3090-11T-VERT	Vertical	3090	910	580	1340
ELI-3390-12T-VERT	Vertical	3390	980	580 <td 1450	

* This is the required minimum clearance in front of the ladder to extend/retract.

If you have specific dimensional requirements, the Elite is available made-to-measure for ceiling openings ranging from 620mm long and 430mm wide, and for floor-ceiling heights up to 3.39m. Please contact us for details and to arrange a quotation.



High-quality die-cast aluminium concertina loft ladder



Quality

The Elite loft ladder is manufactured to EN 14975 (DN 4570).

Supplied with a 2-year full warranty and 10-year parts warranty.

The
preferred
choice



Premier Loft Ladders Ltd

2 Dawson Drive, Trimley St Mary, Felixstowe Suffolk, UK

T: 0345 9000 195

E: sales@premierloftladders.co.uk

W: www.premierloftladders.co.uk