

Supreme with steel hatchbox F30

Ready to install element

Safety tested: Tested according to DIN EN 14975 by TÜV Süd

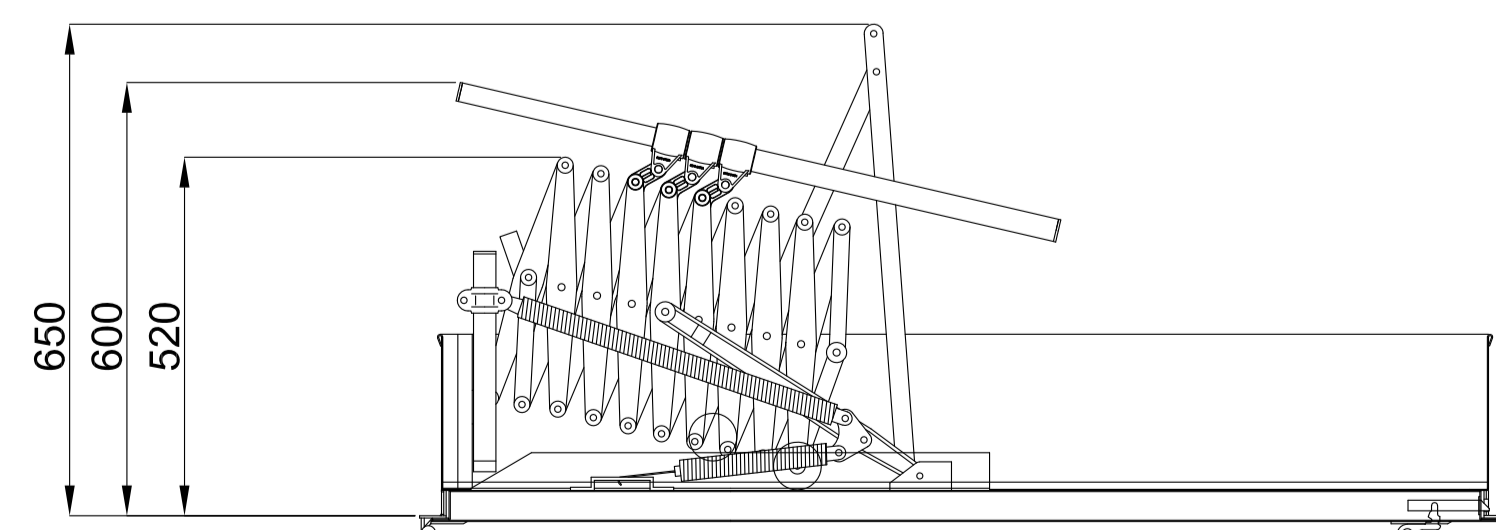
Thermal properties: U-Value lower cover F30 = 0.57 W/m²K
Calculation of the isolated area according to EN ISO 6946 by manufacturer

Fire rating: F30 = 30 minutes protection from below. Certified to DIN4102 - Part 2 by MPA Stuttgart. Installation into reinforced steel ceilings from 180mm that belong to a minimum F30 class according to DIN4102-4

Stairs:
Scissor unit: Aluminium
Load bearing capacity per tread: 200kg or 500kg/m² of the entire component.
Tread depth: 14cm (16cm)

Custom sizes:
Made to measure

Aperture length depends on the number of treads		Space required in cm		
Treads	Aperture size (length)	Floor to ceiling height "A"	Setdown point "B"	Swivel range "C"
9	90 - 160*	220 - 250	127 - 122	130
10	100 - 160**	250 - 279	137 - 133	141
11	110 - 160	279 - 309	148 - 143	152
12	120 - 160	309 - 339	159 - 154	164
13	130 - 160	339 - 369	186 - 182	190
14	140 - 160	369 - 399	199 - 194	202
15	150 - 160	399 - 430	211 - 206	215
Hatchbox external dimensions = aperture size -1.5cm				
* 78 - 160cm for hatchbox height of 24cm only				
** 80-160cm for hatchbox height of 24cm only				



PREMIER LOFT LADDERS
2 Dawson Drive,
Trimley St Mary,
Felixstowe, Suffolk. IP11 0YW
www.premierloftladders.co.uk
Tel: 0345 9000 195
Fax: 01394 214413

Other sizes and different ceiling heights are available on request	Date	Name	Supreme with steel hatchbox F30	Scale 1:10
	B 10.08.2014	JP		
	C 20.07.2017	JP		
	D 24.08.2020	JP		
6000227			The data on the drawings is for information only. All dimensions must be checked on site. No responsibility is taken for errors.	