

Supreme with wooden hatchbox for flat roofs, 1 additional tread

Ready to install element

Safety tested: Tested according to DIN EN 14975 by TÜV Süd

Airtightness (a value): class 4 - 600pa pressure tested to DIN EN 12207 / 12114 by IFT Rosenheim

Thermal properties: U-Value lower cover = 0.58 W/m²K
U-Value top cover = (see table below)

Calculation of the isolated area according to EN ISO 6946 by manufacturer

Stairs:

Scissor unit: Aluminium

Load bearing capacity per tread: 200kg or 500kg/m² of the entire component.

Tread depth: 14cm (16cm)

Custom sizes:

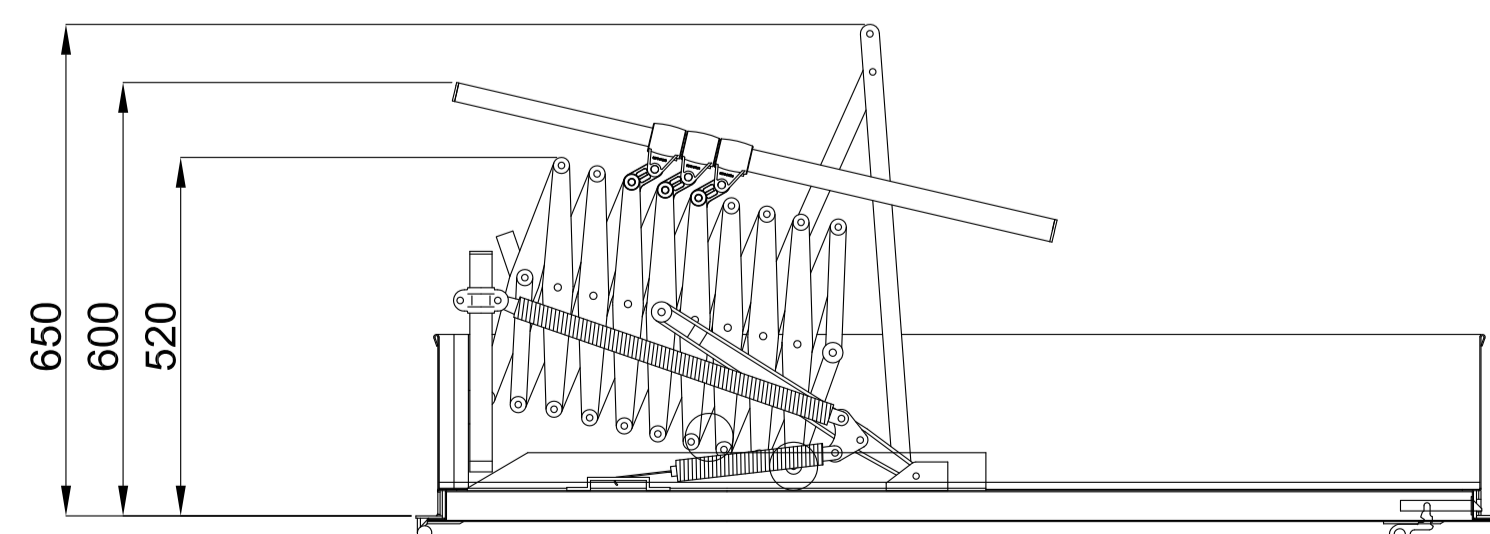
Custom sizes are available on request

Aperture length depends on the number of treads		Space required in cm		
Treads	Aperture size (length)	Floor to ceiling height "A"	Setdown point "B"	Swivel range "C"
9	90 - 160	220 - 250	125 - 110	136
10	90 - 160	251 - 279	134 - 118	147
11	100 - 160	280 - 309	143 - 125	158
12	100 - 160	310 - 339	152 - 133	170
13	130 - 160	340 - 369	179 - 162	196
14	140 - 160	370 - 399	189 - 171	208
15	150 - 160	400 - 430	199 - 179	221

Hatchbox external dimensions = aperture size -2cm

Standard sizes	
Aperture size length x width	Tread width
120 x 60 cm	25 cm
120 x 70 cm	35 cm
130 x 70 cm	35 cm
140 x 70 cm	35 cm

Top cover thermal insulation values		
Insulation installed on site "D" max.	U - Value W/m ² K	Seal type
27 mm	1.1	Single seal
40 mm	0.68	Double seal
80 mm	0.38	Double seal
100 mm	0.31	Double seal



PREMIER LOFT LADDERS
2 Dawson Drive,
Trimley St Mary,
Felixstowe, Suffolk. IP11 0YW
Tel: 0345 9000 195
Fax: 01394 214413
www.premierloftladders.co.uk

Date	Name	Scale
10.05.2014	JP	Supreme with wooden hatchbox for flat roofs, 1 additional tread 1:10
17.07.2017	JP	
10.06.2020	JP	

Other sizes and different ceiling heights are available on request

6000211

The data on the drawings is for information only. All dimensions must be checked on site. No responsibility is taken for errors.