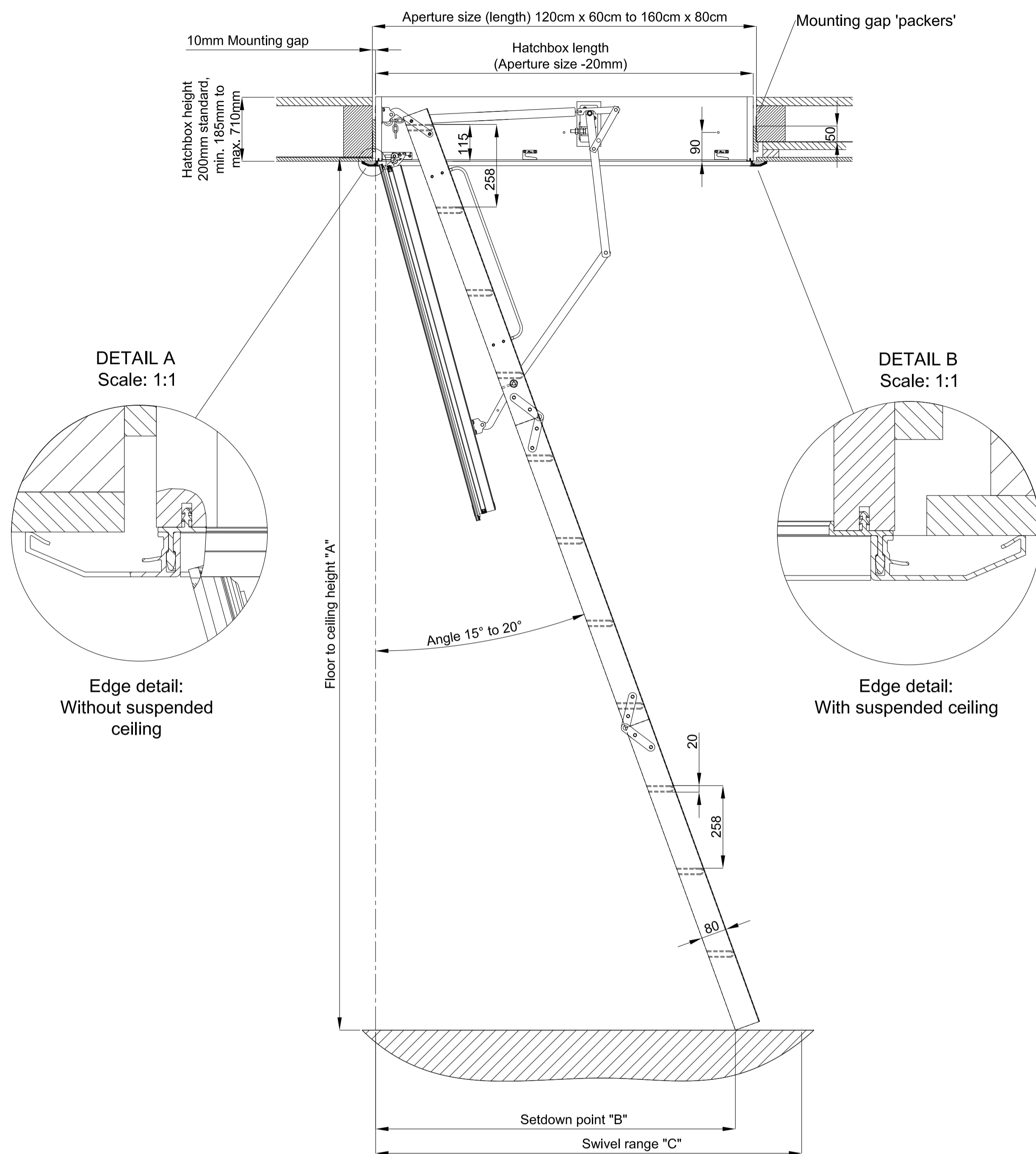
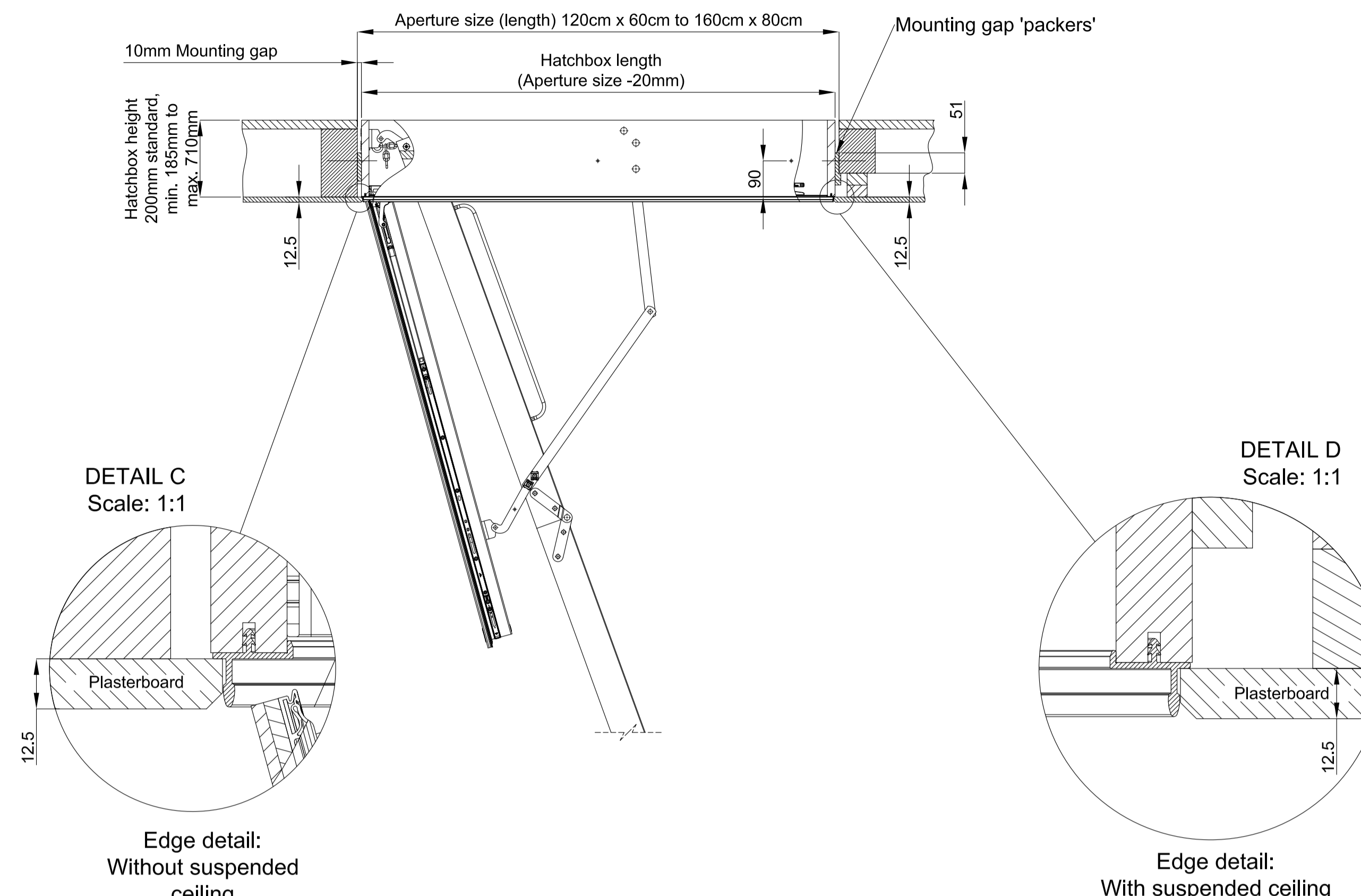


Installation with
architrave



Installation without
architrave (plasterboard)



Designo Wooden Loft Ladder

Ready to install element

Safety tested: Tested according to DIN EN 14975 by TÜV Süd

Airtightness (a value): class 4 - tested to DIN EN 12207 / 12144 by IFT Rosenheim

Thermal properties: U-Value lower cover = 0.60 W/m²K. Combined U value with optional upper cover (Designo DD) 0.29 W/m²K. Calculation of the isolated area according to DIN EN ISO 6946 by manufacturer

Stairs:

Wooden ladder: 3-part folding
Load bearing capacity per tread: 180kg
Tread dimensions: 33cm x 8cm

Custom sizes:

Custom sizes are available on request

Floor to ceiling height "A" 2300 - 2800. All dimensions in mm			
Angle	Floor to ceiling range	Setdown point "B"	Swivel range "C"
15°	2400-2550	850-890	1523
16°	2380-2530	892-935	1540
17°	2370-2520	937-983	1557
18°	2350-2500	978-1027	1574
19°	2340-2480	1023-1071	1591
20°	2300-2460	1057-1116	1607
15°	2660-2800	920-957	1523
16°	2650-2790	969-1010	1540
17°	2630-2780	1016-1062	1557
18°	2620-2760	1066-1112	1574
19°	2600-2740	1113-1161	1591
20°	2560-2720	1152-1210	1607

Floor to ceiling height "A" 2810 - 3300. All dimensions in mm			
Angle	Floor to ceiling range	Setdown point "B"	Swivel range "C"
15°	2930-3070	992-1030	1740
16°	2910-3050	1044-1084	1761
17°	2890-3040	1096-1142	1781
18°	2880-3020	1147-1196	1802
19°	2860-3000	1202-1251	1822
20°	2840-2980	1254-1305	1842
21°	2820-2960	1306-1359	1862
22°	2810-2940	1357-1414	1882
15°	3190-3300	1062-1091	1740
16°	3180-3290	1122-1153	1761
17°	3160-3270	1178-1212	1781
18°	3140-3250	1235-1271	1802
19°	3120-3230	1292-1330	1822
20°	3090-3210	1345-1389	1842
21°	3070-3190	1402-1434	1862
22°	3050-3160	1458-1503	1882



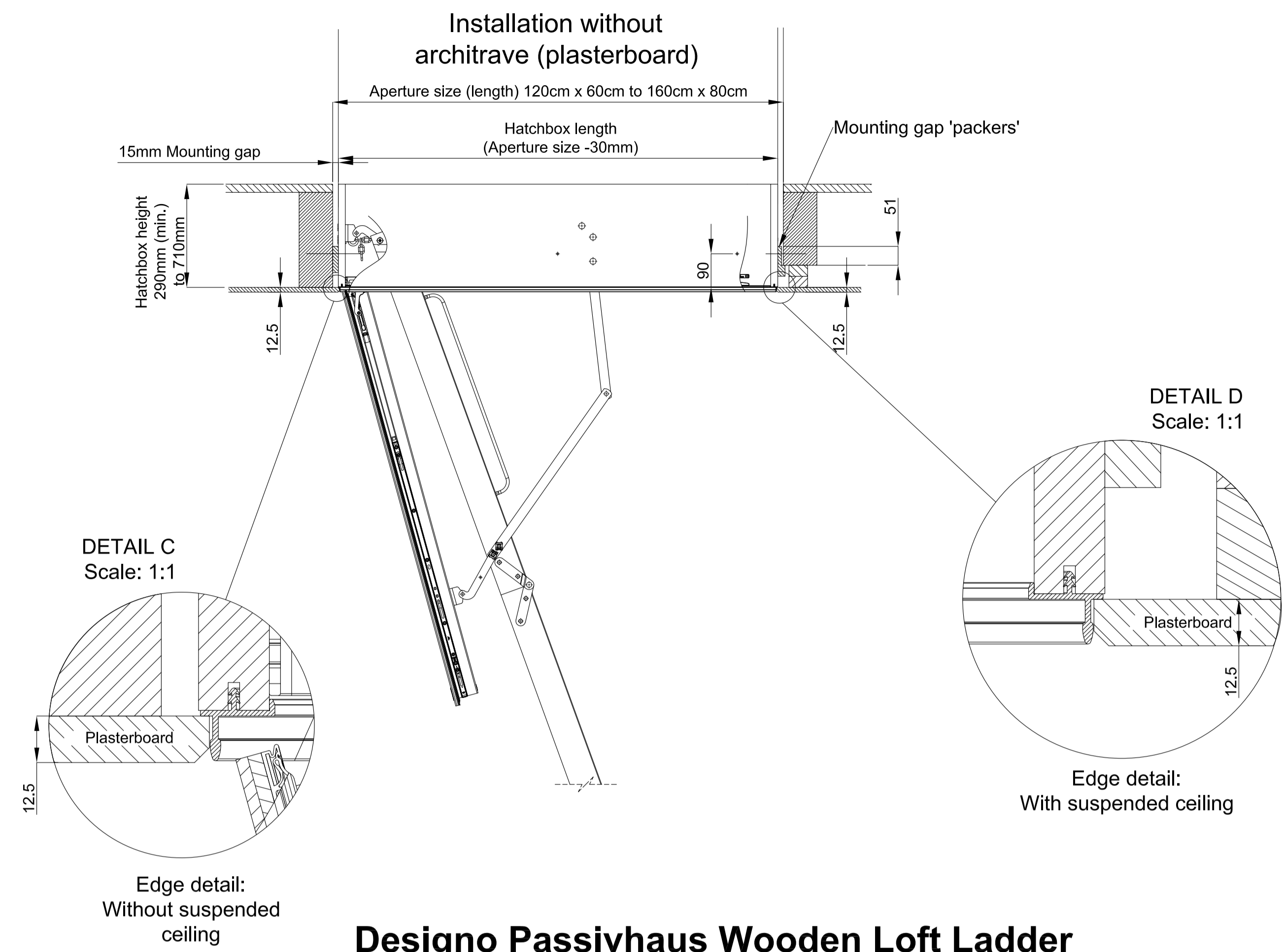
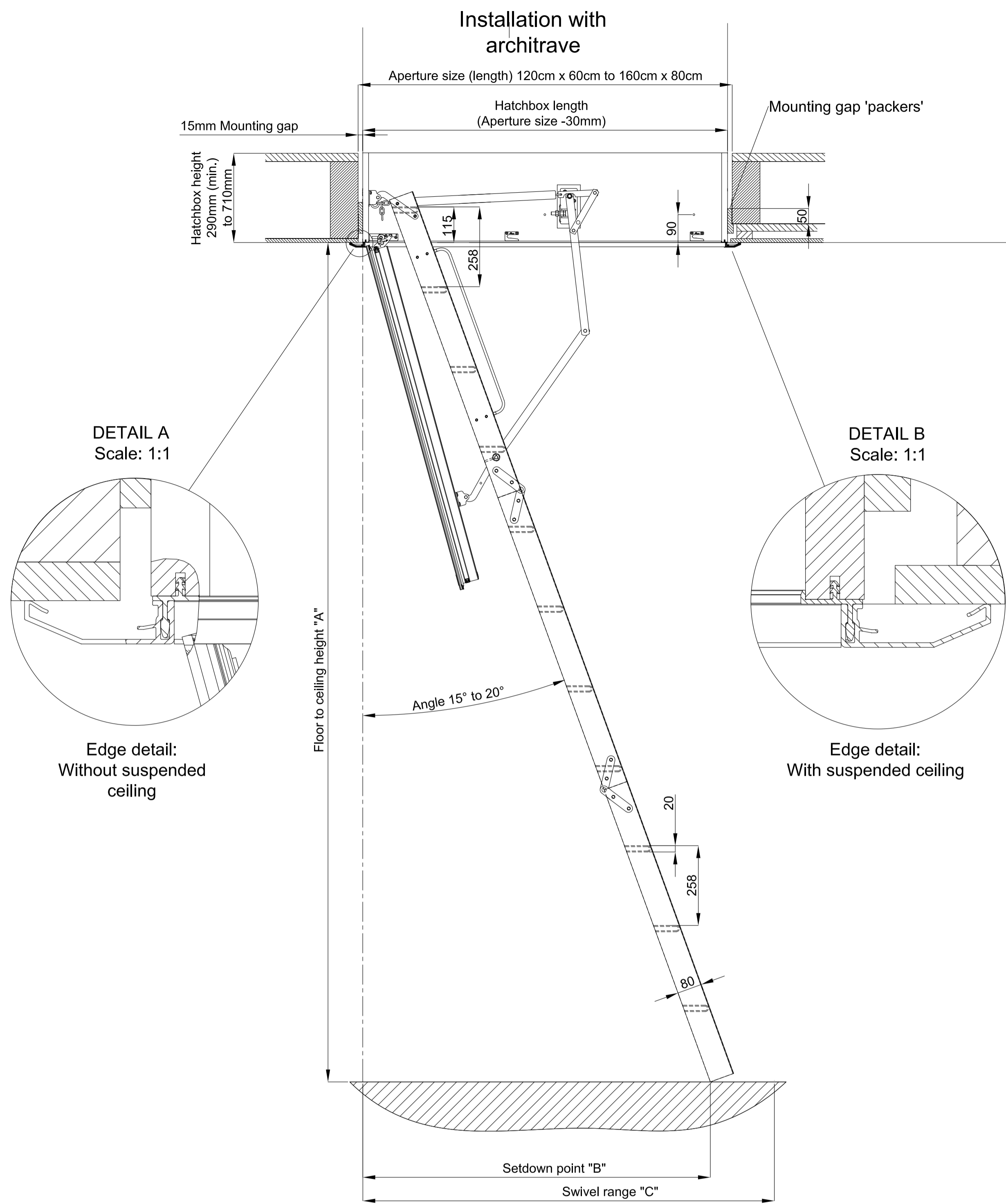
PREMIER LOFT LADDERS
2 Dawson Drive,
Trimley St Mary,
Felixstowe, Suffolk. IP11 0YW
www.premierloftladders.co.uk
Tel: 0345 9000 195
Fax: 01394 214413



© All rights reserved. Report all discrepancies. Do not scale drawings.

Other sizes and different ceiling heights are available on request	Date	Name	Designo: 3 part folding wooden ladder	Scale 1:10 AT A2
	A 03.05.2016	JP		
	B 04.05.2020	JP		
	6000392		The data on the drawings is for information only. All dimensions must be checked on site. No responsibility is taken for errors.	

NOTE: ALL INFORMATION CONTAINED IN THIS DOCUMENT IS STRICTLY CONFIDENTIAL. THIS DRAWING IS THE PROPERTY OF PREMIER LOFT LADDERS AND MUST NOT BE REPRODUCED WITHOUT PRIOR PERMISSION.



Designo Passivhaus Wooden Loft Ladder

Passivhaus Certified: by the Passive House Institute

Ready to install element

Safety tested: Tested according to DIN EN 14975 by TÜV Süd

Airtightness (a value): class 4 - tested to DIN EN 12207 / 12144 by IFT Rosenheim

Thermal properties: U-Value lower cover = 0.60 W/m²K

Calculation of the isolated area according to DIN EN ISO 6946 by manufacturer

Stairs:

Wooden ladder: 3-part folding

Load bearing capacity per tread: 180kg

Tread dimensions: 33cm x 8cm

Custom sizes:

Custom sizes are available on request

Floor to ceiling height "A" 2300 - 2800. All dimensions in mm			
Angle	Floor to ceiling range	Setdown point "B"	Swivel range "C"
15°	2400-2550	850-890	1523
16°	2380-2530	892-935	1540
17°	2370-2520	937-983	1557
18°	2350-2500	978-1027	1574
19°	2340-2480	1023-1071	1591
20°	2300-2460	1057-1116	1607
15°	2660-2800	920-957	1523
16°	2650-2790	969-1010	1540
17°	2630-2780	1016-1062	1557
18°	2620-2760	1066-1112	1574
19°	2600-2740	1113-1161	1591
20°	2560-2720	1152-1210	1607

Floor to ceiling height "A" 2810 - 3300. All dimensions in mm			
Angle	Floor to ceiling range	Setdown point "B"	Swivel range "C"
15°	2930-3070	992-1030	1740
16°	2910-3050	1044-1084	1761
17°	2890-3040	1096-1142	1781
18°	2880-3020	1147-1196	1802
19°	2860-3000	1202-1251	1822
20°	2840-2980	1254-1305	1842
21°	2820-2960	1306-1359	1862
22°	2810-2940	1357-1414	1882
15°	3190-3300	1062-1091	1740
16°	3180-3290	1122-1153	1761
17°	3160-3270	1178-1212	1781
18°	3140-3250	1235-1271	1802
19°	3120-3230	1292-1330	1822
20°	3090-3210	1345-1389	1842
21°	3070-3190	1402-1434	1862
22°	3050-3160	1458-1503	1882



PREMIER LOFT LADDERS
2 Dawson Drive,
Trimley St Mary,
Felixstowe, Suffolk. IP11 0YW
www.premierloftladders.co.uk
Tel: 0345 9000 195
Fax: 01394 214413

Other sizes and different ceiling heights are available on request	6000392	Designo Passivhaus: 3 part folding wooden ladder	Scale: 1:10 AT A2
--	---------	--	-------------------

The data on the drawings is for information only. All dimensions must be checked on site. No responsibility is taken for errors.

NOTE: ALL INFORMATION CONTAINED IN THIS DOCUMENT IS STRICTLY CONFIDENTIAL. THIS DRAWING IS THE PROPERTY OF PREMIER LOFT LADDERS AND MUST NOT BE REPRODUCED WITHOUT PRIOR PERMISSION.