

Supreme with steel hatchbox for flat roofs, F60 & F90

Ready to install element

Safety tested: Tested according to DIN EN 14975 by TÜV Süd

Thermal properties: U-Value lower cover = 0.93 W/m² K, U-Value top cover = 0.68 W/m² K
 U-Value combined = 0.3 W/m² K (see table below for other options)

Calculation of the isolated area according to DIN EN ISO 6946 by manufacturer

Fire Rating:

F60 = 60 minutes protection from below.
 F90 = 90 minutes protection from below.
 Certified to DIN4102 - Part 2 by MPA Stuttgart

Stairs:

Scissor unit: Die-cast aluminium
 Load bearing capacity per tread: 200kg or 500kg / m² of the entire component
 Tread depth: 14cm (16cm)

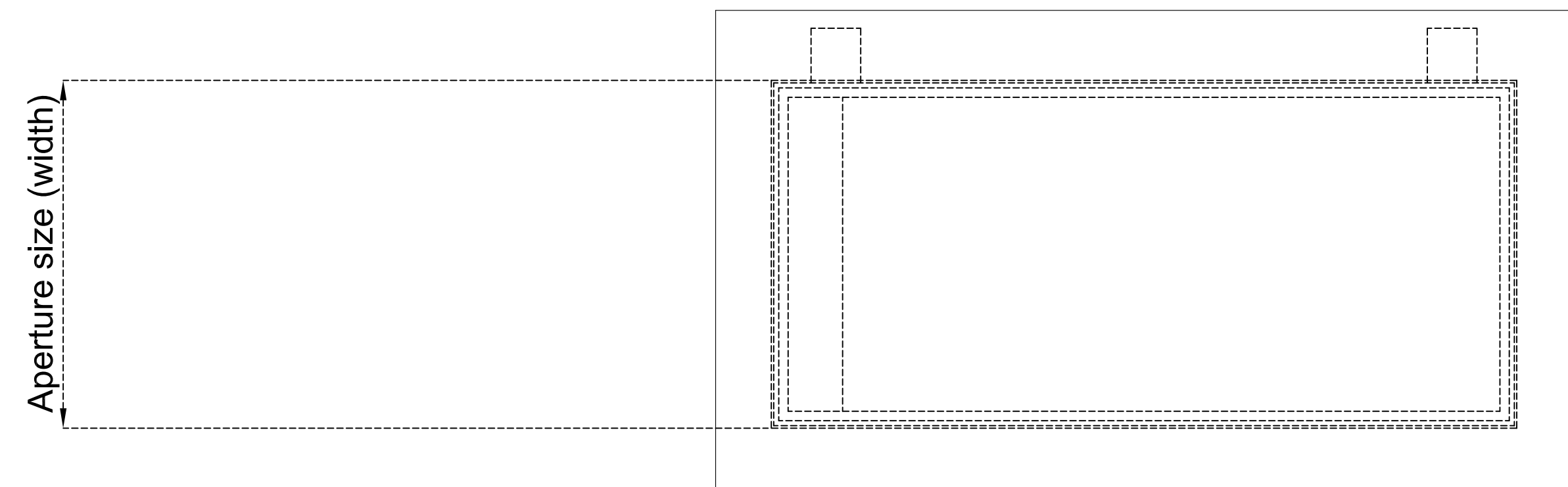
Custom sizes:

Custom sizes are available on request

Aperture length depends on the number of treads		Space required in cm		
Treads	Aperture size (length)	Floor to ceiling height "A"	Setdown point "B"	Swivel range "C"
9	90.5 - 160	220 - 250	129 - 123	136
10	100.5 - 160	250 - 279	139 - 133	146
11	110.5 - 160	279 - 309	149 - 142	156
12	120.5 - 160	309 - 339	159 - 151	167
13	130.5 - 160	339 - 369	186 - 178	192
14	140.5 - 160	369 - 399	197 - 189	203
15	150.5 - 160	399 - 430	208 - 199	215

Hatchbox external dimensions = aperture size - 2cm

Top cover thermal insulation values		
Insulation installed on site "D" max.	U - Value W/m ² K	Seal type
35 mm	1.1	Single seal
40 mm	0.68	Double seal
80 mm	0.38	Double seal
100 mm	0.31	Double seal



PREMIER LOFT LADDERS
 2 Dawson Drive,
 Trimley St Mary,
 Felixstowe, Suffolk. IP11 0YW
 Tel: 0345 9000 195
 Fax: 01394 214413
 www.premierloftladders.co.uk

Other sizes and different ceiling heights are available on request	<table border="1"> <thead> <tr> <th>Date</th> <th>Name</th> </tr> </thead> <tbody> <tr> <td>02.10.2012</td> <td>Ra</td> </tr> <tr> <td>16.08.2014</td> <td>JP</td> </tr> <tr> <td>20.02.2020</td> <td>JP</td> </tr> </tbody> </table>	Date	Name	02.10.2012	Ra	16.08.2014	JP	20.02.2020	JP	Supreme with steel hatchbox for flat roofs, F60 & F90	Scale: 1:10
Date	Name										
02.10.2012	Ra										
16.08.2014	JP										
20.02.2020	JP										

6000286
 The data on the drawings is for information only. All dimensions must be checked on site. No responsibility is taken for errors.

NOTE: ALL INFORMATION CONTAINED IN THIS DOCUMENT IS STRICTLY CONFIDENTIAL. THIS DRAWING IS THE PROPERTY OF PREMIER LOFT LADDERS AND MUST NOT BE REPRODUCED WITHOUT PRIOR PERMISSION.