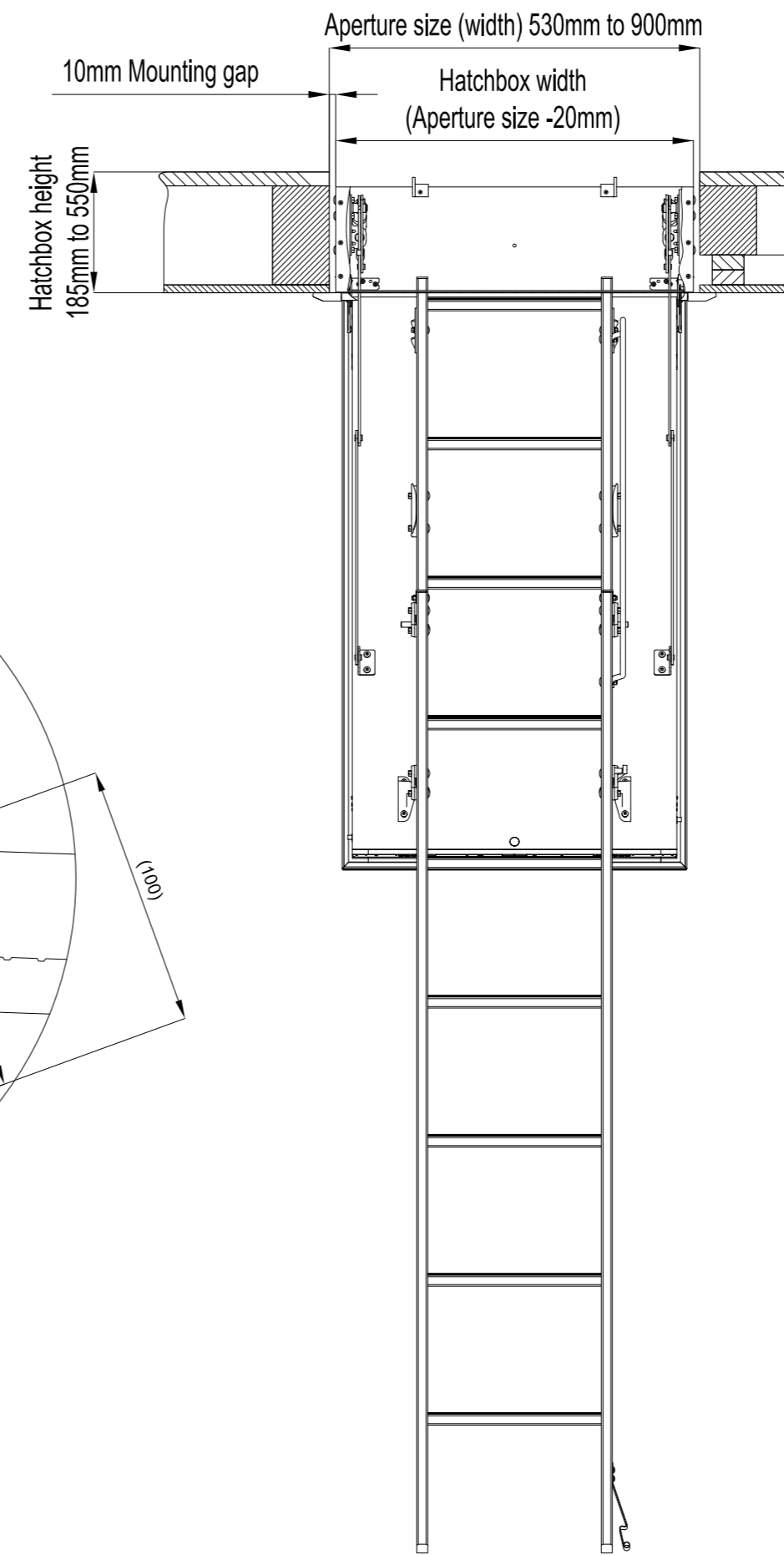
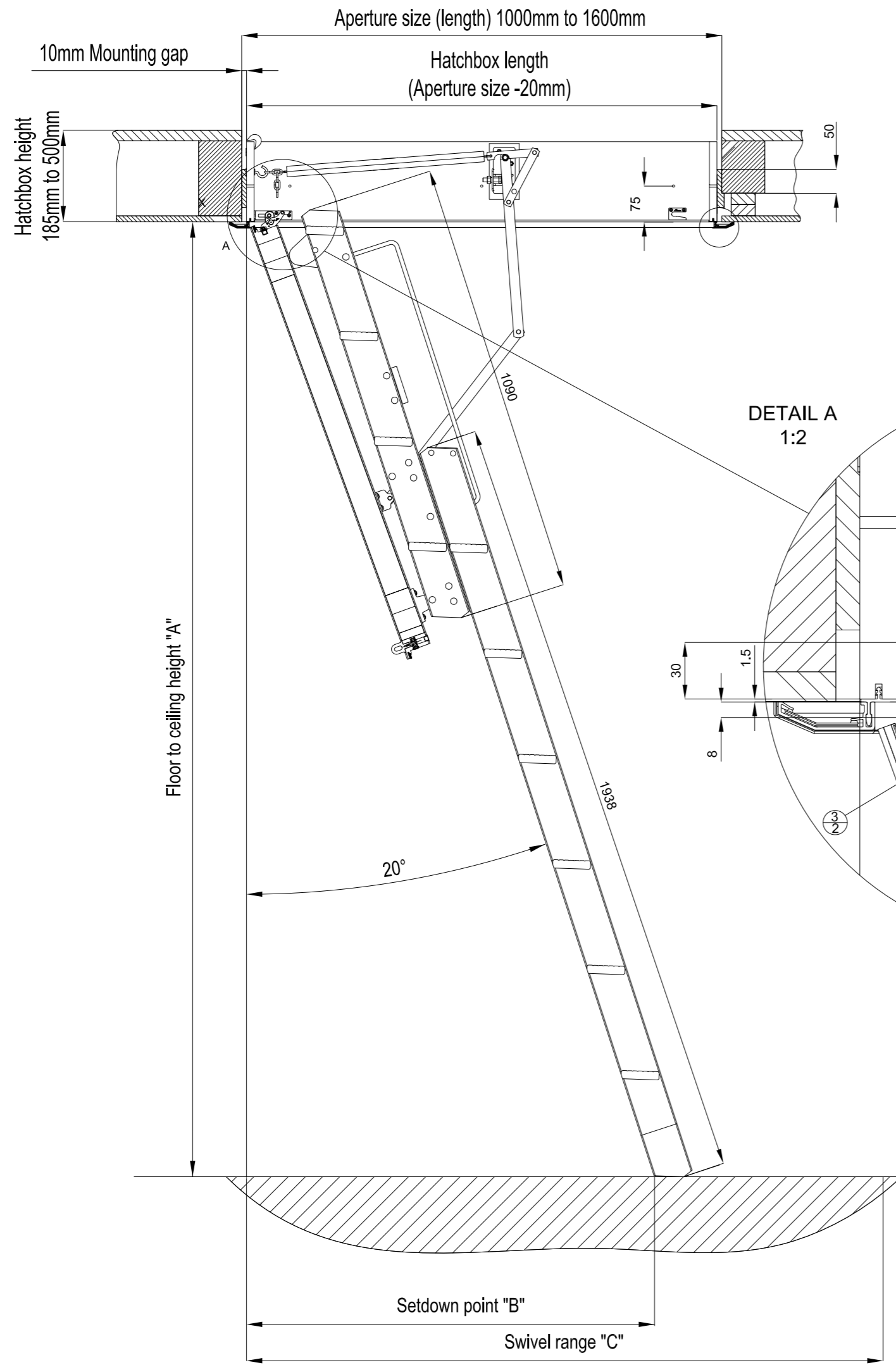


NOTE: ALL INFORMATION CONTAINED IN THIS DOCUMENT IS STRICTLY CONFIDENTIAL. THIS DRAWING IS THE PROPERTY OF PREMIER LOFT LADDERS AND MUST NOT BE REPRODUCED WITHOUT PRIOR PERMISSION.



Quadro 2: 2 part folding wooden ladder

Ready to install element
Safety tested: tested according to DIN EN 14975 by TÜV Süd

Airtightness: class 4 - tested to DIN EN 12207 / 12114 by IFT Rosenheim

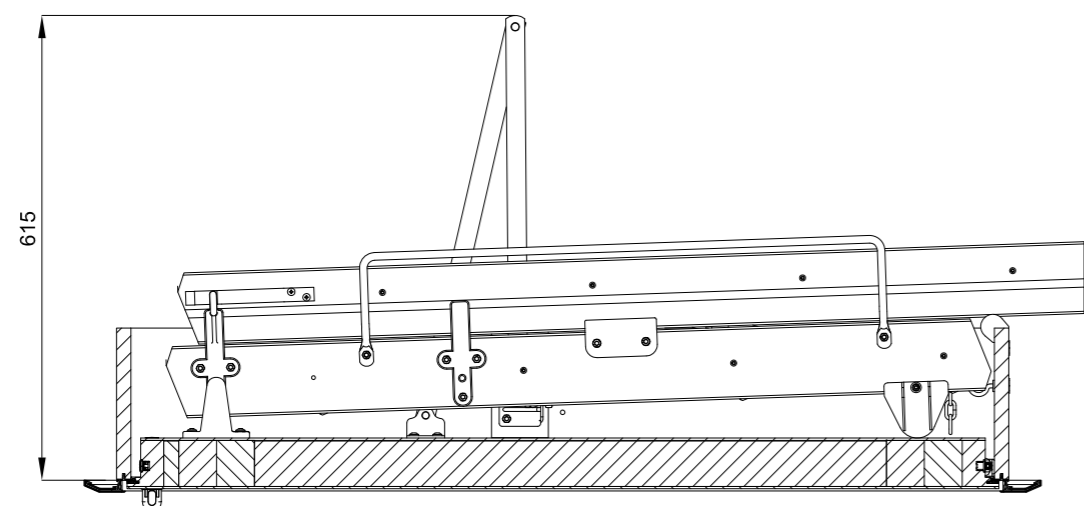
Thermal Properties: U-Value lower cover 0.77 W/m²K
 Calculation of the isolated area according to DIN EN ISO 6946 by manufacturer

Stairs:
 Wooden ladder: 2-part sliding
 Load bearing capacity per tread 150 kg or 350 kg/m² of the entire component
 Tread dimensions 36cm x 8cm

Custom sizes:
 Made-to-measure

Sizes (all dimensions in mm)		
Aperture length	Floor to ceiling height "A"	Extended Stair Angle
1000 - 1199	1800 - 2800	15° - 25°
1200 - 1600	1800 - 3340	15° - 25°

N.B.
 Setdown point "B" subject to floor to ceiling height and extended stair angle.
 Swivel range "C" subject to aperture length.



PREMIER LOFT LADDERS
 2 Dawson Drive,
 Trimley St Mary,
 Felixstowe, Suffolk. IP11 0YW

Tel: 0845 9000 195
 Fax: 01394 214413

www.premierloftladders.co.uk



©All rights reserved		Report all discrepancies		Do not scale drawings	
Other sizes and different ceiling heights are available on request	FRST issue	Date	Name	Quadro 2: 2 part sliding wooden ladder	Scale 1:10
	A	28.04.2017	JP		
	B	04.12.2018	JP		
		6000429		The data on the drawings is for information only. All dimensions must be checked on site. No responsibility is taken for errors.	