

Vertical Loft Ladders...



Supreme Vertical loft ladder

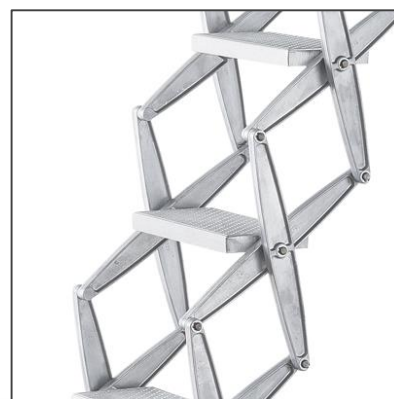
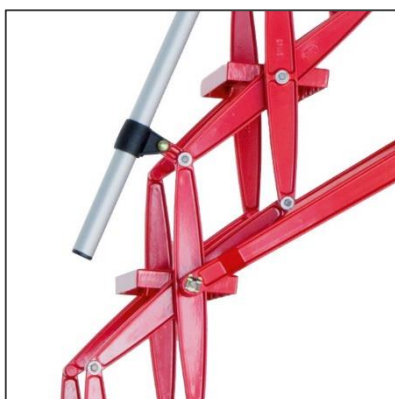
...lightweight, strength and durability



The Supreme vertical loft ladder is specially developed for vertical installation. It is manufactured from quality die-cast aluminium alloy components for strength and light-weight operation. The wooden hatch box and insulated trapdoor provide excellent energy efficiency.

- Heavy duty ladder, rated to 200kg per tread.
- Ease of use, requiring operating forces of less than 3kg.
- Fully insulated hatch
- Large treads with anti-slip profile for comfort and safety.
- Available in made-to-measure.

(please note that the hatch box and trapdoor are now supplied in white finish as standard)



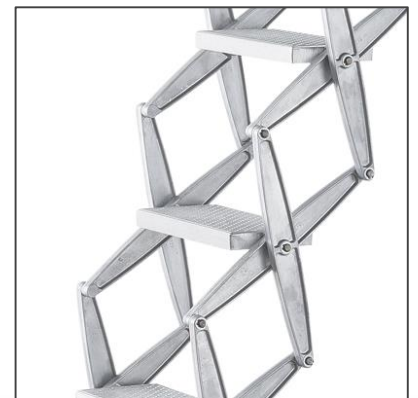
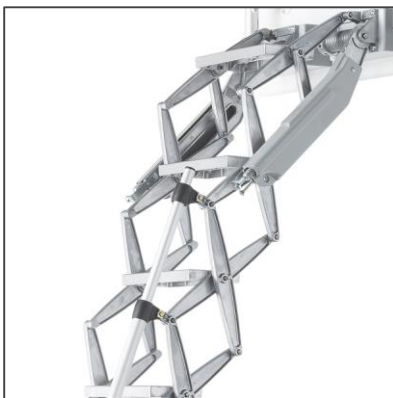
Elite Vertical loft ladder

...strength, durability and ease of operation



The Elite Vertical features a damped hinge mechanism to allow the Elite loft ladder to be utilised in vertical applications, such as on a mezzanine floor or in a wall hatch. It is manufactured from high quality die-cast aluminium alloy components for strength and durability.

- Heavy duty ladder, rated to 200kg per tread.
- Ease of use, requiring operating forces of less than 3kg.
- Easy to install.
- Space-saving retractable loft ladder for small openings.
- Large treads with anti-slip profile for comfort and safety.
- Telescopic handrail as standard.



sales@premierloftladders.com

www.premierloftladders.com

PREMIER
LOFT LADDERS

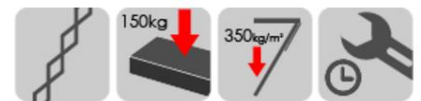
Piccolo Premium Vertical loft ladder

...easy to operate and perfect for very small ceiling openings



The Piccolo Premium Vertical loft ladder is suitable for very small wall openings. It features a damped hinge mechanism for installation on a mezzanine floor or in a wall hatch.

- Space-saving retractable loft ladder for very small openings.
- Lightweight and durable aluminium ladder.
- Load capacity of 150kg per step.
- Spring assisted operation.
- Easy to install.



sales@premierloftladders.com

www.premierloftladders.com

PREMIER
LOFT LADDERS

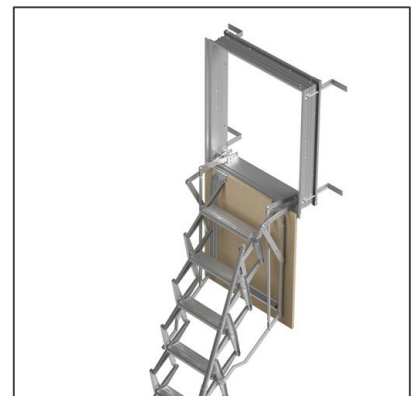
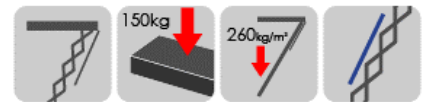
ADJ Wall loft ladder

...compact and easy to operate



The ADJ Wall loft ladder is ideal for residential use where access to loft space is gained through a wall hatch. The compact concertina ladder is manufactured from galvanized steel components and contained within, and attached to, a steel hatch box with wooden trapdoor. A counter-balance spring mechanism helps to raise and lower the ladder with ease.

- Retractable loft ladder for vertical wall openings.
- Easy to use.
- Load rated to 150kg per tread.
- Handrail and non-slip treads for comfort and safety.
- Standard sizes only



The
preferred
choice



2 Dawson Drive, Trimley St Mary
Felixstowe, Suffolk, IP11 0YW, UK

T: 01394 214413 or 0845 9000 195

E: sales@premierloftladders.com

W: www.premierloftladders.com