

Revised: 6th July 2017

Installation Manual

Piccolo & Piccolo Premium

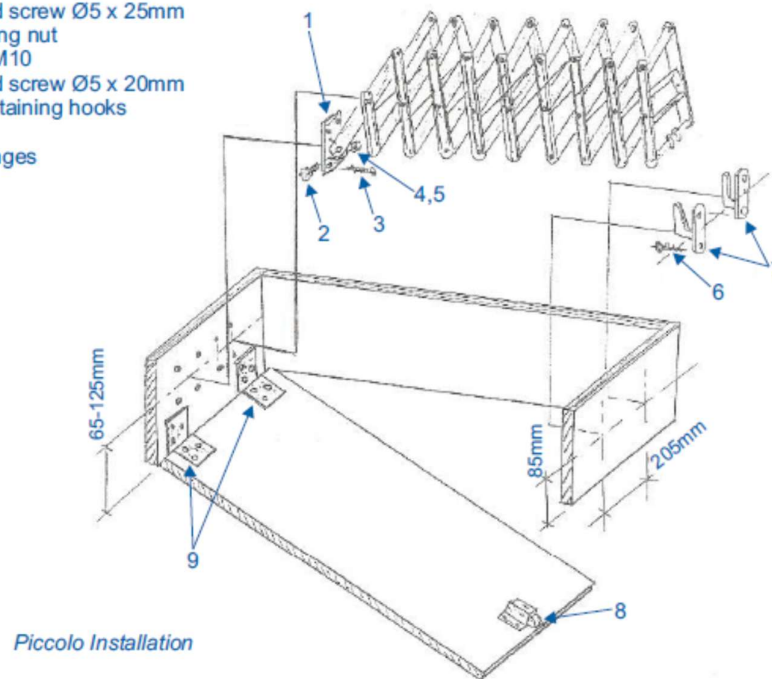
Reference Number: **INST 006-2017**

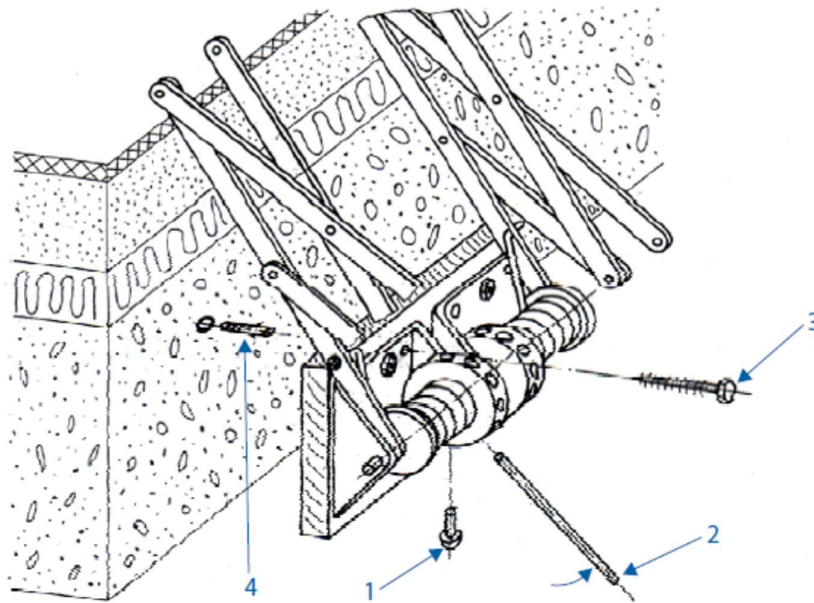
The Piccolo Premium stairway is supplied with counterbalance springs which hold the stairway in the folded position without additional support. The Piccolo stairway without the counterbalance springs, is supplied with a pair of hooks which are to be positioned at the opposite end of the opening to the hinge. This will allow the stairway to be stored when not in use.

Both models require a clear aperture width of 370mm inside the hatch for the 280mm wide tread model, or 420mm for the 330mm wide tread model.

The Piccolo Premium is supplied mounted on a wooden backboard, the fixing brackets on the backboard have a number of pre-drilled holes to aid fixing. The backboard should be secured using at least 6 screws, min. Ø8mm x 80 mm (supplied with the stairway), suitable plugs and washers. The backboard must be fixed to a suitable secure structure or hatch box.

1. Bearing support brackets
2. Hexagonal bolt M8
3. Pan head screw Ø5 x 25mm
4. Self locking nut
5. Washer M10
6. Pan head screw Ø5 x 20mm
7. Plastic retaining hooks
8. Catch
9. Offset hinges



Revised: 6th July 2017

Piccolo Premium Installation

Adjustment of the springs – Piccolo Premium:



Please Note: Only undertake this instruction with the steps closed and only if the steps are required to lower under their own weight.

1. Insert the metal rod 10 x 200mm (item 2) into one of the holes on the spring fixing bracket. Preferably the hole next to the rivet (item 1).
2. Using the metal rod, rotate the spring fixing until another hole is exposed. Relocate the rivet in this newly exposed hole.
3. Allow the spring fixing to gently return, until the rivet touches the bracket and prevents further movement.



Please Note: Do not remove the metal rod until the rivet is resting on the bracket. The spring is under high tension, do not over wind.

Revised: 6th July 2017

Maintenance:

- At regular intervals, check all screws, nuts, and locking parts for proper seating.
- Regularly oil/grease all moving parts.

Safety Instructions:

- When opening the installed steps, do not push the swivelling arm up to the stop. There is a risk that the large lever of the extended scissor steps will tear the front board from the screwed mounting, or that parts of the step assembly will be damaged.