

Fire Rated Loft Ladders...



Access
all areas

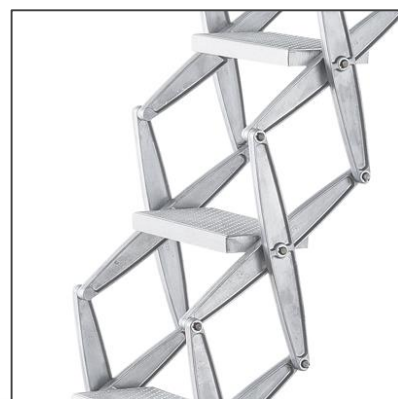
Supreme F30 wooden hatch box

...lightweight, strength, durability and fire resistance



The Supreme F30 Wooden Hatch Box fire resistant loft ladder is a fire rated version of the Supreme retractable aluminium heavy duty loft ladder. Fire resistant hatch box and trapdoor manufactured from high-quality B1 chipboard.

- Heavy duty ladder, rated to 200kg per tread.
- Ease of use, requiring operating forces of less than 3kg.
- Fully insulated hatch with airtight seal.
- Large treads with anti-slip profile for comfort and safety.
- Available in standard sizes or made-to-measure with a wide range of options and accessories.
- Rated for 30 minutes from below (*DIN 4102-2 MPA Braunschweig*)



sales@premierloftladders.com

www.premierloftladders.com

PREMIER
LOFT LADDERS

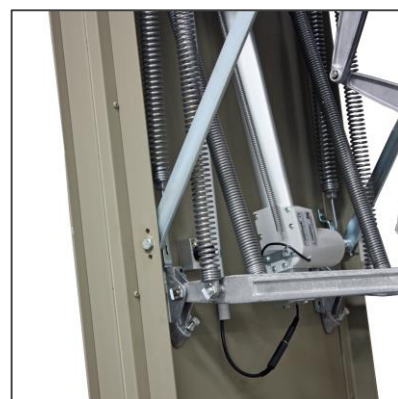
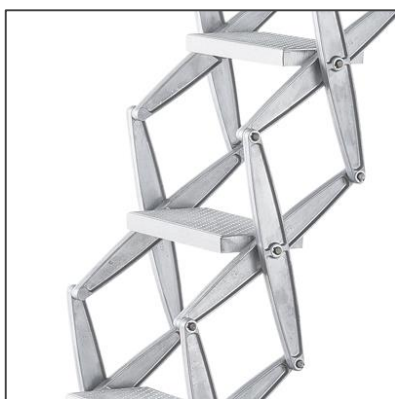
Supreme F30 steel hatch box

...lightweight, strength, durability and fire resistance



The Supreme F30 Steel Hatch Box fire resistant loft ladder is a fire rated version of the Supreme retractable aluminium heavy duty loft ladder. Steel hatch with double circumferential seal.

- Heavy duty ladder, rated to 200kg per tread.
- Ease of use, requiring operating forces of less than 3kg.
- Highly insulated hatch
- Large treads with anti-slip profile for comfort and safety.
- Made-to-order with a wide range of options and accessories.
- Available with electric operation
- Rated for 30 minutes from below (*DIN 4102-2 MPA Stuttgart*)



sales@premierloftladders.com

www.premierloftladders.com

PREMIER
LOFT LADDERS

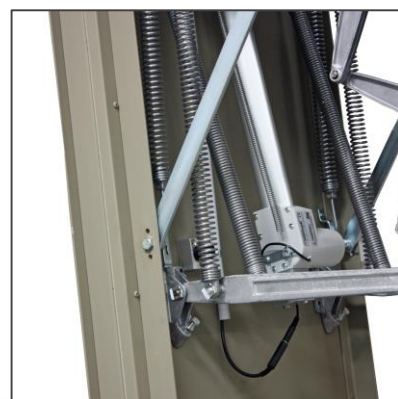
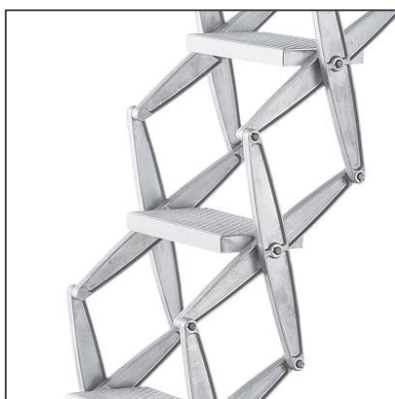
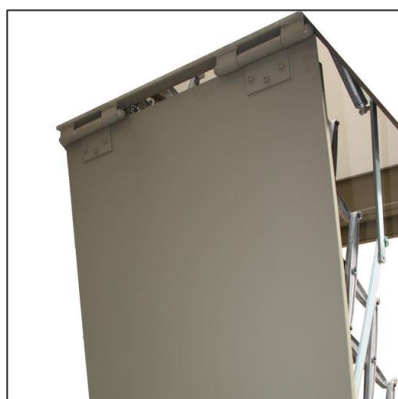
Supreme F60/F90 steel hatch box

...lightweight, strength, durability and fire resistance



The Supreme F60/F90 Steel Hatch Box fire resistant loft ladder is a fire rated version of the Supreme retractable aluminium heavy duty loft ladder. Steel hatch with double circumferential seal.

- Heavy duty ladder, rated to 200kg per tread.
- Ease of use, requiring operating forces of less than 3kg.
- Fully insulated hatch
- Large treads with anti-slip profile for comfort and safety.
- Made-to-order with a wide range of options and accessories.
- Available with electric operation
- Rated for 60 & 90 minutes from below (*DIN 4102-2 MPA Stuttgart*)



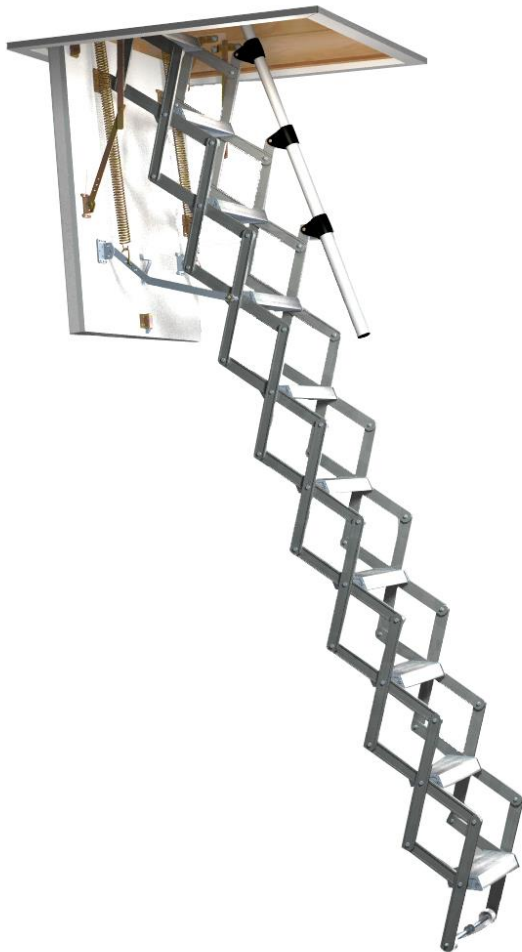
sales@premierloftladders.com

www.premierloftladders.com

PREMIER
LOFT LADDERS

MiniLine loft ladder

...fire rated ladder & hatch box for small ceiling openings



The MiniLine F30 / F30 Plus / F60 aluminium loft ladder is a fire resistant version of the 'Mini' loft ladder. It is specially designed for small ceiling openings. It is supplied as a ready to fit unit, consisting of a space-saving aluminium ladder contained within an insulated hatch box.

- Lightweight and durable aluminium ladder.
- Fully insulated hatch with an airtight seal.
- Load rated to 150kg per tread.
- Hatch box trap door finished in white on both sides.
- Easy to operate.



The MiniLine is available with the following fire ratings:

F30	30 minutes from below (<i>DIN 4102-2 MPA Braunschweig (EN1365-2 / EN1363-1)</i>)
F30 Plus	30 minutes from below and above (<i>DIN 4102-2 MPA Braunschweig</i>)
F60	60 minutes from below (<i>DIN 4102-2 MPA Braunschweig (EN1365-2 / EN1363-1)</i>)

ProfiLine wooden loft ladder

...fire resistant wooden loft ladder



The ProfiLine F30 / F30 Plus / F60 is a fire rated wooden loft ladder. It offers an attractive design and is available in standard or made-to-measure sizes. The 3-part folding wooden ladder is contained within a wooden hatch box and an insulated trapdoor.

- Traditional wooden loft ladder design.
- Fully insulated hatch with an airtight seal.
- Hatch box trap door finished in white on both sides.
- Load rated to 150kg per tread.
- Wide steps with anti-slip profile for comfort and safety
- Maximum floor to ceiling height of 3200mm



The ProfiLine is available with the following fire ratings:

F30	30 minutes from below (<i>DIN 4102-2 MPA Braunschweig (EN1365-2 / EN1363-1)</i>)
F30 Plus	30 minutes from below and above (<i>DIN 4102-2 MPA Braunschweig</i>)
F60	60 minutes from below (<i>DIN 4102-2 MPA Braunschweig (EN1365-2 / EN1363-1)</i>)

The
preferred
choice



2 Dawson Drive, Trimley St Mary
Felixstowe, Suffolk, IP11 0YW, UK

T: 01394 214413 or 0845 9000 195

E: sales@premierloftladders.com

W: www.premierloftladders.com