

STANDARD HANDRAIL SUPPLIED ON ONE SIDE ONLY.
HANDRAIL BRACKETS INSTALLED AS STANDARD ON
BOTH SIDES TO ENABLE INSTALLER TO CHANGE
HANDRAIL SIDES OR PURCHASE AND INSTALL AN
ADDITIONAL HANDRAIL.

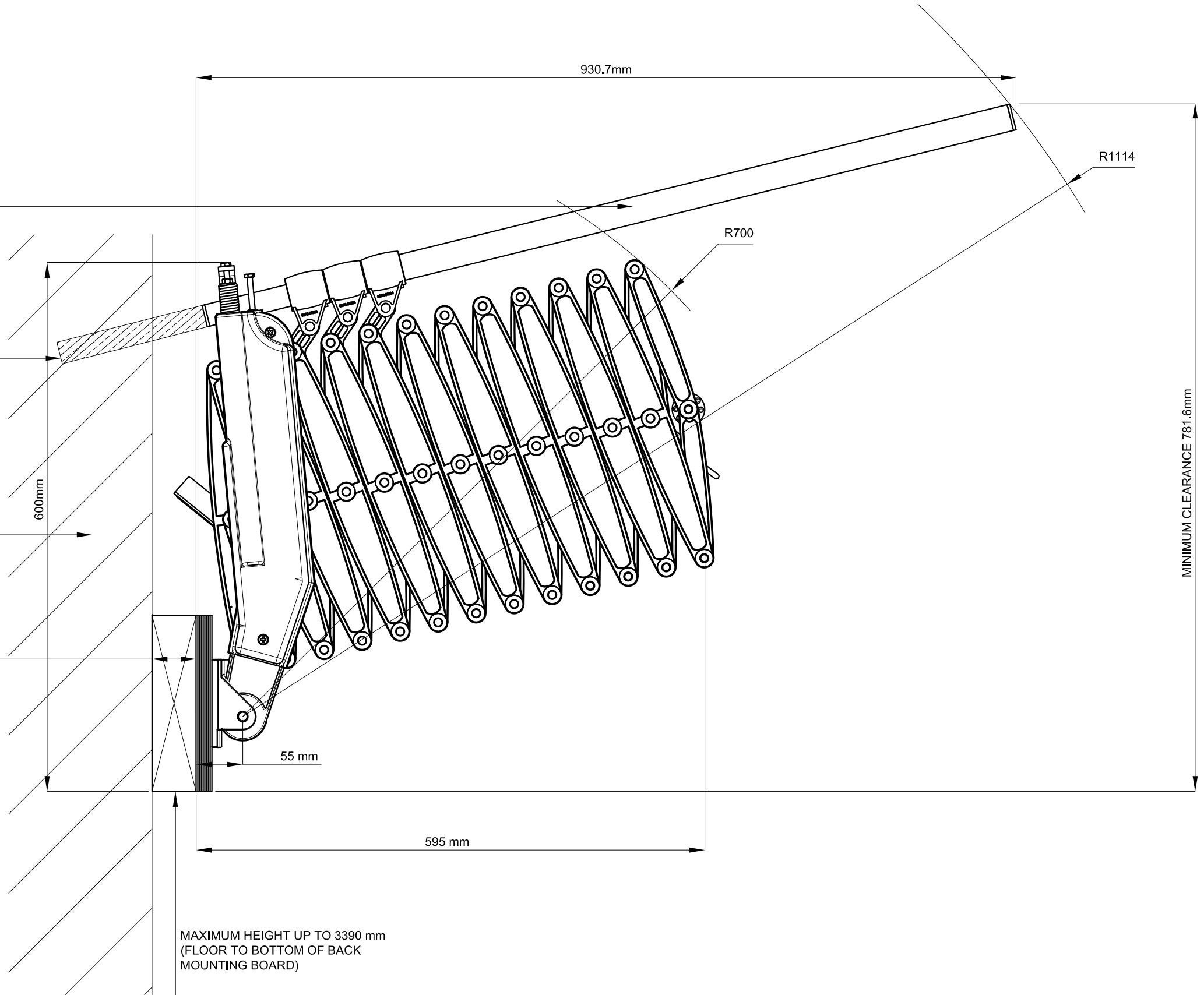
TELESCOPIC HANDRAIL:
MAY REQUIRE TRIMMING TO AVOID
CONTACT WITH VERTICAL SURFACE

VERTICAL SURFACE

A PACKER (ILLUSTRATED) OF APPROX. 50mm WILL BE
REQUIRED WHERE THE VERTICAL FIXING SURFACE EXCEEDS
THE HEIGHT OF THE BACKBOARD TO A POINT WHERE THE
LADDER WOULD FOUL AGAINST THE SURFACE WHEN
STOWED. PACKER AVAILABLE AS AN OPTIONAL ACCESSORY.
CONTACT US FOR DETAILS.

MAXIMUM HEIGHT UP TO 3390 mm
(FLOOR TO BOTTOM OF BACK
MOUNTING BOARD)

NOTE:
IT IS RECOMMENDED THAT THE MINIMUM STRUCTURAL OPENING LENGTH
IS 1000 mm FOR AN ELITE STAIRWAY INSTALLED WITH A HANDRAIL.



PREMIER LOFT LADDERS
2 Dawson Drive
Trimley St. Mary
Felixstowe
Suffolk
IP11 0YW

www.premierloftladders.co.uk
Tel: 0845 9000 195
Fax: 01394 214413



Issue	Description	Date	Name
D	Text and handrail mod's	07/2017	J.P.
C	Add standard handrail	08/2016	J.P.
B	Logo change	08/2014	J.P.
A	Addition of packer text	09/2013	J.P.
	First issue	10/2012	J.P.

Drawing Title:
**ELITE STAIRWAY: 12 treads
FITTING TO VERTICAL
SURFACE**

All dimensions in mm

© All rights reserved Report all discrepancies Do not scale drawings
Filename: ELITE12 HANDRAIL.DWG Project: Standard Issue

Scale:
1:1
Sheet:
PLOT AT
A3 1:5
Issue:
D