

Supreme with steel hatchbox F60 & F90

Ready to install element

Safety tested: Tested according to DIN En 14975 by TÜV Süd

Thermal properties: U-Value lower cover F60/F90 = 0.93 W/m²K
Calculation of the isolated area according to EN ISO 6946 by manufacturer

Fire rating: F60 = 60 minutes protection from below. F90 = 90 minutes protection from below.
Certified to DIN4102 - Part 2 by MPA Stuttgart.
Installation into reinforced steel ceilings from 180mm that belong to a minimum F60/F90 class according to DIN4102-4

Stairs:

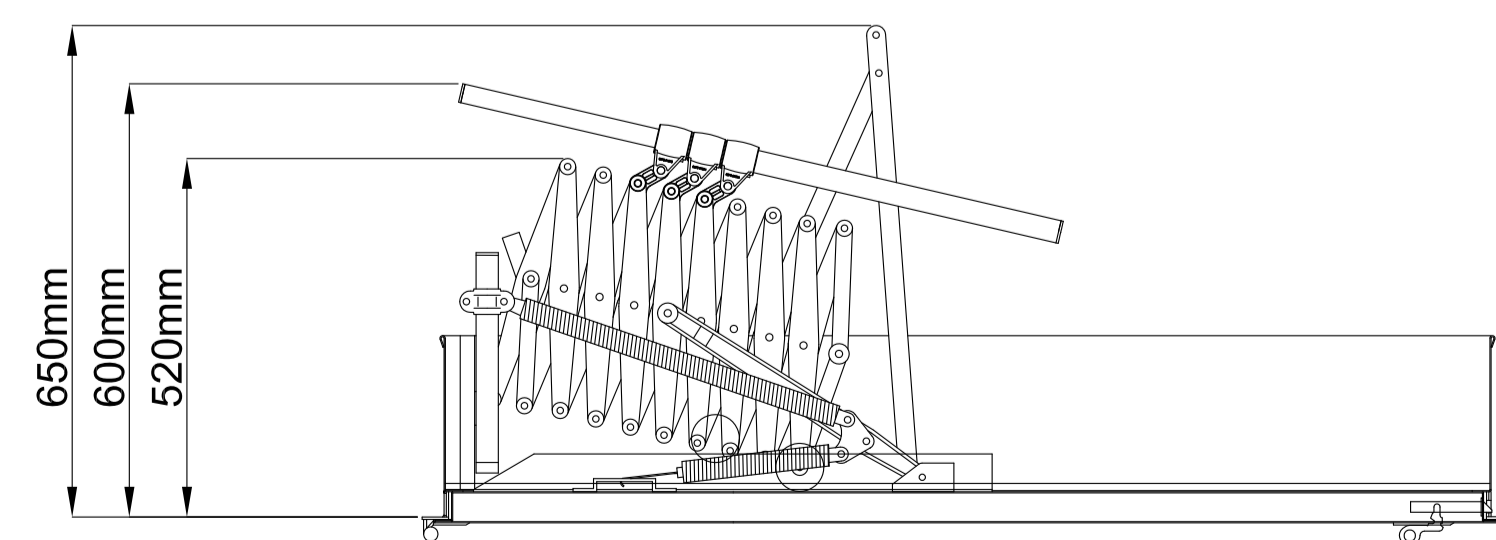
Scissor unit: Aluminium
Load bearing capacity per tread: 200kg or 500kg/m² of the entire component.
Tread depth: 14cm (16cm)

Custom sizes:

Made to measure

Aperture length depends on the number of treads		Space required in cm		
Treads	Aperture size (length)	Floor to ceiling height "A"	Setdown point "B"	Swivel range "C"
9	90 - 160	220 - 250	127 - 122	130
10	100 - 160	250 - 279	137 - 133	141
11	110 - 160	279 - 309	148 - 143	152
12	120 - 160	309 - 339	159 - 154	164
13	130 - 160	339 - 369	186 - 182	190
14	140 - 160	369 - 399	199 - 194	202
15	150 - 160	399 - 430	211 - 206	215

Hatchbox external dimensions = aperture size - 1.5cm



NOTE: ALL INFORMATION CONTAINED IN THIS DOCUMENT IS STRICTLY CONFIDENTIAL. THIS DRAWING IS THE PROPERTY OF PREMIER LOFT LADDERS AND MUST NOT BE REPRODUCED WITHOUT PRIOR PERMISSION.



PREMIER LOFT LADDERS
2 Dawson Drive,
Trimley St Mary,
Felixstowe, Suffolk. IP11 0YW
Tel: 0845 9000 195
Fax: 01394 214413
www.premierloftladders.co.uk

Date	Name	Scale
A 14.09.2013	JP	1:10
B 10.06.2014	JP	
C 26.07.2017	JP	

Other sizes and different ceiling heights are available on request

6000288

The data on the drawings is for information only. All dimensions must be checked on site. No responsibility is taken for errors.