

### Supreme with wooden hatchbox F30

**Ready to install element**

**Safety tested:** Tested according to DIN En 14975 by TÜV Süd

**Airtightness (a value):** class 4 - 400pa pressure tested to DIN EN 12207 by ift Rosenheim

**Thermal properties:** U-Value lower cover = 0.8 W/m²K  
Calculation of the isolated area according to EN ISO 6946 by manufacturer

**Fire rating:** F30 = 30 minutes protection from below.

**Stairs:**

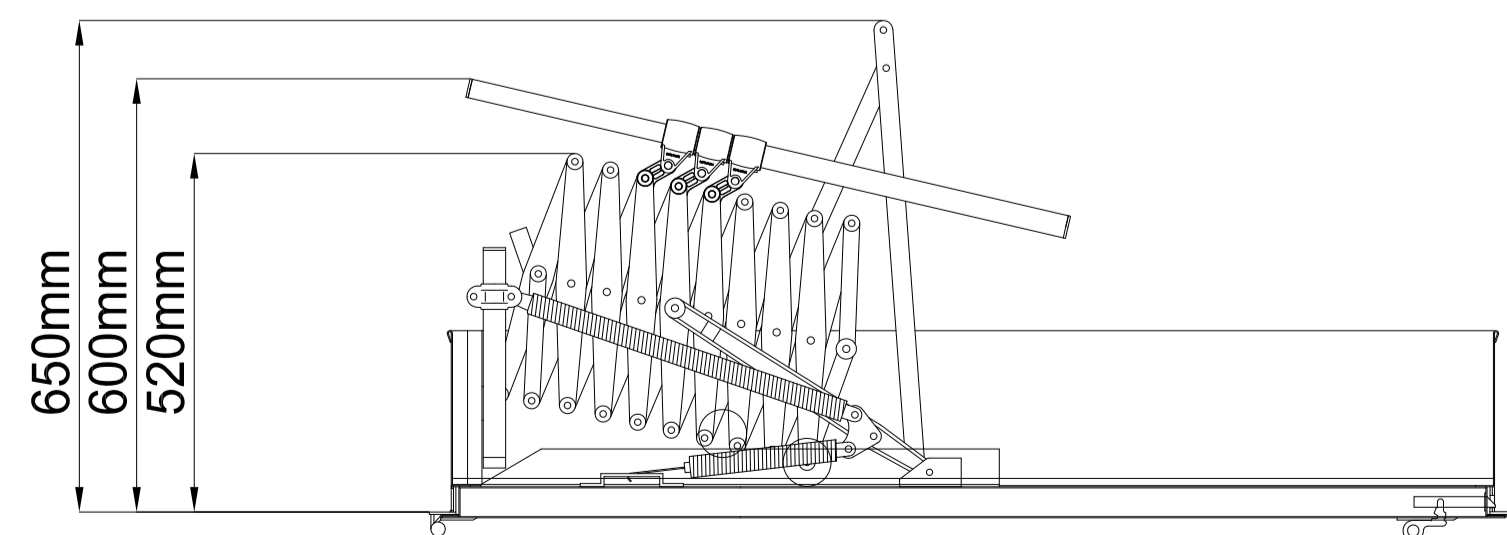
Scissor unit: Aluminium  
Load bearing capacity per tread: 200kg or 500kg/m² of the entire component.  
Tread depth: 14cm (16cm)

**Custom sizes:**

Custom sizes are available on request

Aperture length depends on the number of treads		Space required in cm		
Treads	Aperture size (length)	Floor to ceiling height "A"	Setdown point "B"	Swivel range "C"
9	95 - 150	220 - 250	130 - 115	139
10	101 - 150	251 - 279	141 - 125	152
11	110 - 150	280 - 309	152 - 135	164
12	120 - 150	310 - 339	162 - 144	177
13	130 - 150	340 - 369	172 - 153	189

Hatchbox external dimensions = aperture size - 2cm



Standard sizes			
Aperture size length x width	Floor to ceiling height "A"	Tread width	Hatchbox height
120 x 60 cm	220 - 279	25 cm	24 cm
120 x 70 cm	220 - 279	38 cm	24 cm
130 x 70 cm	220 - 279	38 cm	24 cm
140 x 70 cm	220 - 279	38 cm	24 cm



PREMIER LOFT LADDERS  
2 Dawson Drive,  
Trimley St Mary,  
Felixstowe, Suffolk. IP11 0YW  
Tel: 0845 9000 195  
Fax: 01394 214413  
www.premierloftladders.co.uk



Other sizes and different ceiling heights are available on request

Rev	Date	Name	Scale
A	02.10.2012	Ra	1:10
B	16.08.2014	JP	
B	26.07.2017	JP	

6000225

Supreme with wooden hatchbox F30

The data on the drawings is for information only. All dimensions must be checked on site. No responsibility is taken for errors.