

### Supreme with wooden hatchbox for flat roofs, 2 additional treads

**Ready to install element**

**Safety tested:** tested according to DIN EN 14975 by TÜV Süd

**Airtightness (a value):** class 4 - 600pa pressure tested to DIN EN 12207 by ift Rosenheim

**Thermal properties:** U - Value lower cover = 0.8 W/m<sup>2</sup> K  
U - Value top cover (see table below)

Calculation of the isolated area according to DIN EN ISO 6946 by manufacturer

**Stairs:**

Scissor unit: Aluminium

Load bearing capacity per tread 200 kg or 500 kg / m<sup>2</sup> of the entire component  
Tread depth 14 cm (16 cm)

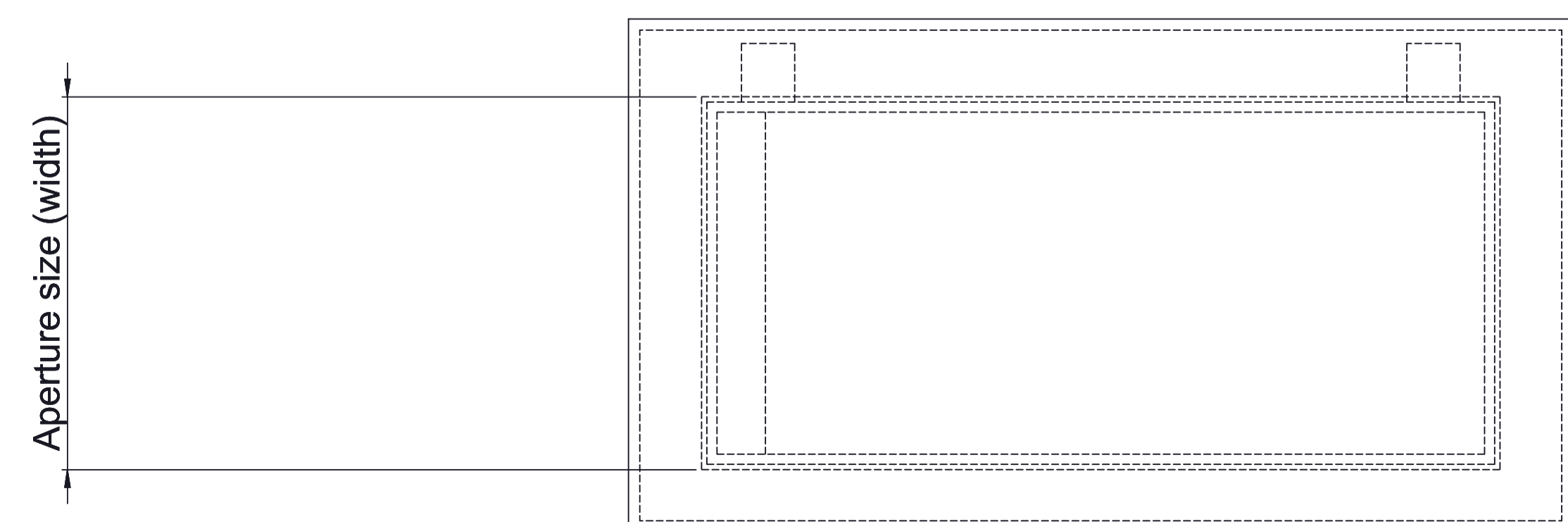
**Custom sizes:**

Custom sizes are available on request

Aperture length depends on the number of treads		Space required in cm		
Treads	Aperture size (length)	Floor to ceiling height "A"	Setdown point "B"	Swivel range "C"
9	101.5 - 171	220 - 250	131 - 115	142
10	101.5 - 171	251 - 279	139 - 123	153
11	111.5 - 171	280 - 309	148 - 130	164
12	111.5 - 171	310 - 339	157 - 137	175
13	141.5 - 171	340 - 369	183 - 166	200
14	151.5 - 171	370 - 399	192 - 175	212
15	161.5 - 171	400 - 430	202 - 183	224

Hatchbox external dimensions = aperture size - 1.5cm

Top cover thermal insulation values		
Insulation installed on site "D"	U - Value W/m <sup>2</sup> K	Seal type
27 mm	1.1	Single seal
40 mm	0.68	Double seal
80 mm	0.38	Double seal
100 mm	0.31	Double seal



PREMIER LOFT LADDERS  
2 Dawson Drive,  
Trimley St Mary,  
Felixstowe, Suffolk. IP11 0YW  
Tel: 0845 9000 195  
Fax: 01394 214413  
www.premierloftladders.co.uk



Other sizes and different ceiling heights are available on request

6000212

Supreme with wooden hatchbox for flat roofs, 2 additional treads

Scale 1:10

The data on the drawings is for information only. All dimensions must be checked on site. No responsibility is taken for errors.

NOTE: ALL INFORMATION CONTAINED IN THIS DOCUMENT IS STRICTLY CONFIDENTIAL. THIS DRAWING IS THE PROPERTY OF PREMIER LOFT LADDERS AND MUST NOT BE REPRODUCED WITHOUT PRIOR PERMISSION.