

Compatta Space-Saving Staircase...



...modern design and adaptable configuration

Compatta space saving stairs feature contemporary styling, quality materials and an easy to install modular stair system. It can be adapted for a large range of architectural configurations. It is therefore ideal for loft conversions or mezzanine floors where space is limited.



Compatta staircase with white powder coat steel structure and solid wood treads in 'Natural' finish

Key benefits at a glance

- Contemporary styling.
- Compact space-saving staircase.
- Easy to install modular system.
- Can be adapted for a large range of architectural configurations.
- Concealed fixings.
- Solid beech treads and handrail.
- Steel structure for strength, durability and robustness.
- Choice of finishes to suit your interior scheme.

Key features

Material - Structure:	Steel (white or grey powder-coat finish)
Material – Treads and handrail:	Solid beech wood (natural or walnut varnish)
Load capacity:	200kg/m ²
Floor-to-floor height:	2.20m to 3.57m*
Warranty:	2-year full warranty and 10-year parts warranty

* Up to 2.85m with standard staircase kit. Additional treads required for heights between 2.85m and 3.57m




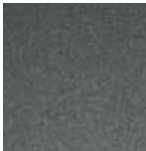
Compatta space-saving staircase shown with grey powder coat steel structure and solid wood treads in 'Walnut' finish

Overview

The Compatta space-saving staircase is assembled from a modular steel structure and solid wood treads and handrail. The treads feature a specially designed shape to help reduce the size of the staircase without compromising comfort or safety. Concealed fixings provide a clean and modern appearance.

The basic kit consists of 11 steps with balustrade and handrail to one-side, which can be customised to meet your specific requirements through utilisation of a wide range of accessories. The innovative Compatta staircase is supplied as an easy to install kit, complete with an installation manual and video.

Finishes

Solid wood	Walnut		Natural	
	White		Grey	

E: sales@premierloftladders.com

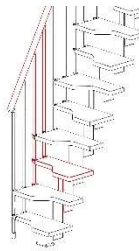
W: www.premierloftladders.com

Standard features

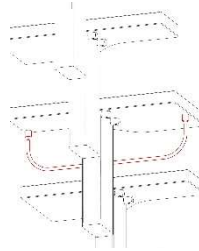
- Space-saving staircase kit.
 - Basic kit includes 11 steps and handrail down one-side, as standard.
- Structure and balustrade manufactured from steel and available in either grey or white powder coat finish.
- Tread and handrail manufactured from solid beech wood and available in either natural or Walnut varnish finish.
- Adjustable rise – 200mm to 240mm (first rise is always 210mm)

Accessories

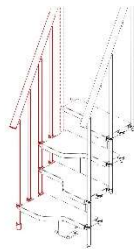
- Extra step
 - Complete with handrail and balustrade to one side



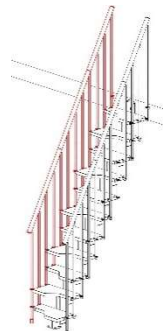
- Safety-riser kit
 - Available in kits for 1 step or 11 steps



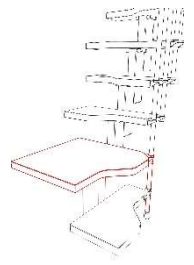
- Railing kit for 3 steps
 - Complete with balusters and handrail



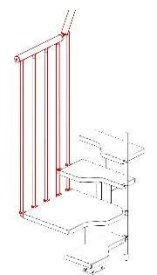
- Railing kit for 11 steps
 - Complete with balusters and handrail



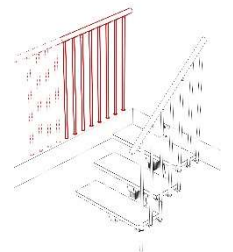
- Platform kit
 - For L and U staircase configurations



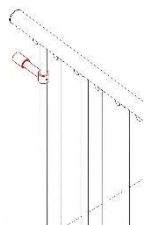
- Railing kit for one side of the platform
 - Complete with balusters and handrail



- Balustrade kit
 - 1m height. Complete with 8 balusters and handrail



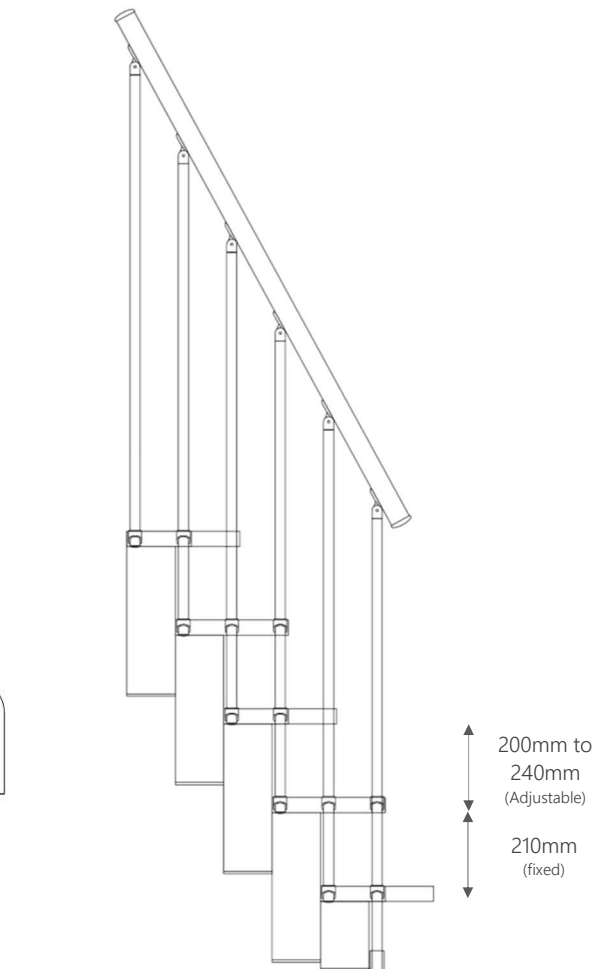
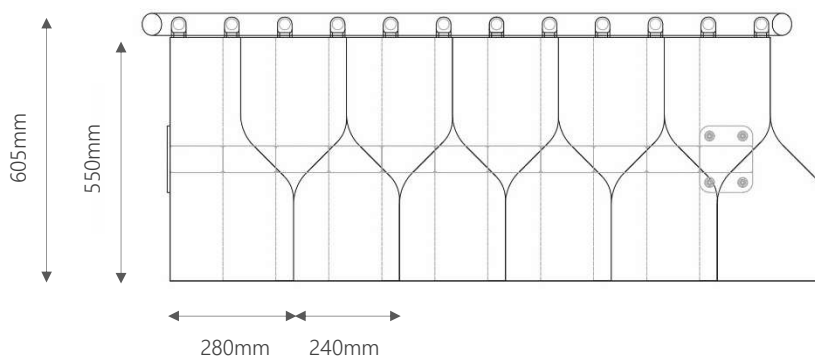
- Baluster stiffener kits
 - Various stiffener kits available (contact us for more details)



Dimensions

The Compatta is sold in kits containing 11 treads, allowing for floor-to-floor heights between 2.2m and 2.85m. Additional treads can be ordered for floor-to-floor heights up to 3.57m.

Floor-to-floor height	No. of treads	Additional treads required (supplied separately)
2200 – 2640mm	10	-1
2410 – 2850mm	11	N/A (standard unit)
2610 – 3090mm	12	+1
2810 – 3330mm	13	+2
3010 – 3570mm	14	+3



Building Regulations

The Compatta alternating tread staircase has been designed to be compliant with all relevant standards. However, the adjustable nature of the staircase may allow the installer to complete the installation without adhering to UK building regulations Part K. A safety-riser kit (sold separately to the standard staircase kit) is required for compliance to the 100mm open riser regulation.

Responsibility for building regulations and health and safety regulations compliance lies solely with the customer and installer.

The
preferred
choice



Premier Loft Ladders Ltd

2 Dawson Drive, Trimley St Mary, Felixstowe Suffolk, UK

T: 01394 214413 or 0845 9000 195

F: 01394 214413

E: sales@premierloftladders.com

W: www.premierloftladders.com