

Supreme with wooden hatchbox

Ready to install element

Safety tested: Tested according to DIN En 14975 by TÜV Süd

Airtightness (a value): class 4 - 600 pa pressure tested to DIN EN 12207 / 12114 by IFT Rosenheim

Thermal properties: U-Value = 0.58 W/m²K
Calculation of the isolated area according to EN ISO 12567-1 by IFT Rosenheim

Stairs:

Scissor unit: Aluminium
Load bearing capacity per tread: 200kg or 500kg/m² of the entire component.
Tread depth: 14cm (16cm)

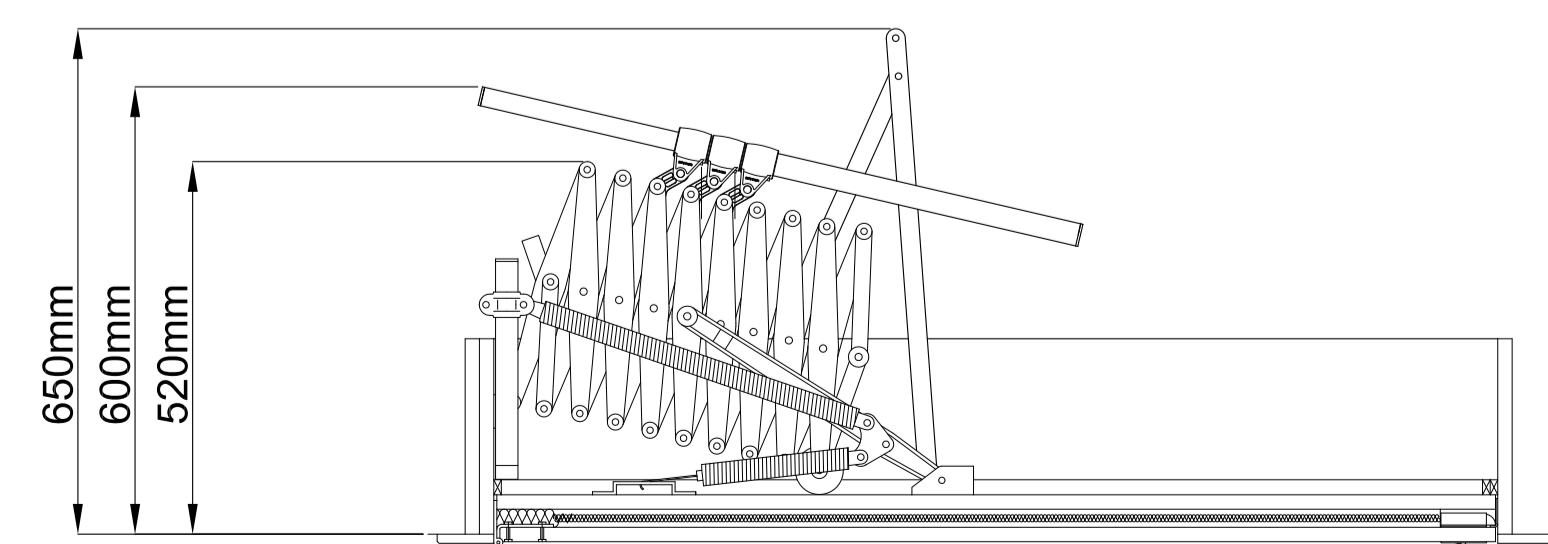
Custom sizes:

Custom sizes are available on request.

Aperture length depends on the number of treads		Space required in cm		
Treads	Aperture size (length)	Floor to ceiling height "A"	Setdown point "B"	Swivel range "C"
9	75 - 160	215 - 250	133 - 122	140
10	80 - 160	250 - 279	144 - 133	152
11	90 - 160	279 - 309	155 - 143	164
12	100 - 160	309 - 339	166 - 154	176
13	130 - 160	339 - 369	194 - 183	203
14	140 - 160	369 - 399	206 - 194	216
15	150 - 160	399 - 430	218 - 205	230

Hatchbox external dimensions = aperture size -2cm

Standard sizes			
Aperture size length x width	Floor to ceiling height "A"	Tread width	Hatchbox height
120 x 60 cm	220 - 279 cm	25 cm	24 cm
120 x 70 cm	220 - 279 cm	35 cm	24 cm
130 x 70 cm	220 - 279 cm	35 cm	24 cm
140 x 70 cm	220 - 279 cm	35 cm	24 cm



PREMIER LOFT LADDERS
2 Dawson Drive,
Trimley St Mary,
Felixstowe, Suffolk. IP11 0YW
Tel: 0345 9000 195
Fax: 01394 214413
www.premierloftladders.co.uk

Other sizes and different ceiling heights are available on request	Date	Name	Supreme with wooden hatchbox	Scale
	B 10.06.2014	JP		1:10
	C 01.08.2017	JP		
	D 10.06.2020	JP		

6000221

The data on the drawings is for information only. All dimensions must be checked on site. No responsibility is taken for errors.

NOTE: ALL INFORMATION CONTAINED IN THIS DOCUMENT IS STRICTLY CONFIDENTIAL. THIS DRAWING IS THE PROPERTY OF PREMIER LOFT LADDERS AND MUST NOT BE REPRODUCED WITHOUT PRIOR PERMISSION.