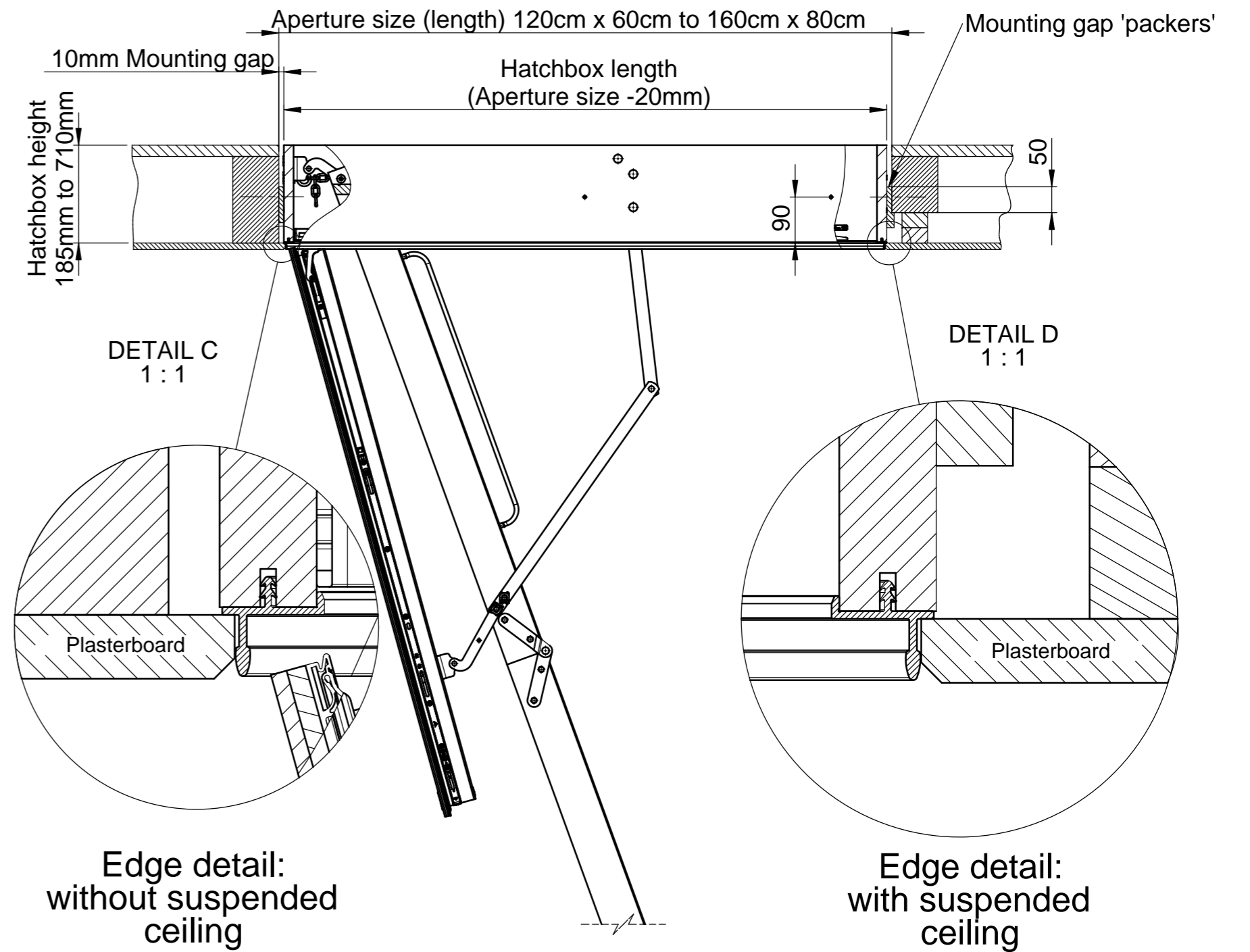
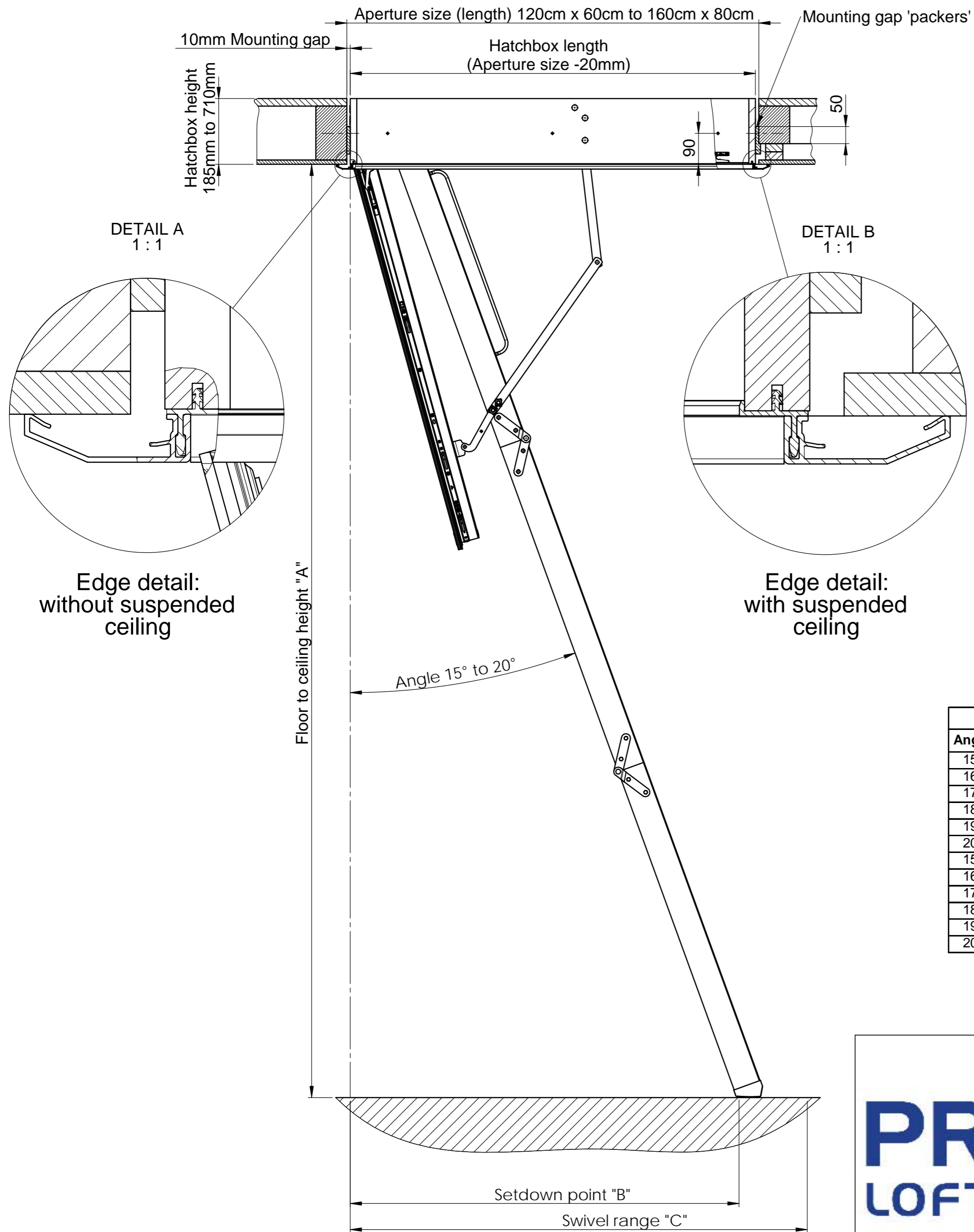


Installation with
architrave

Installation without
architrave
(plasterboard)



Floor to ceiling height "A" 2300 - 2800. All dimensions in mm

Angle	Floor to ceiling range	Setdown point "B"	Swivel range "C"
15°	2400-2550	850-890	1523
16°	2380-2530	892-935	1540
17°	2370-2520	937-983	1557
18°	2350-2500	978-1027	1574
19°	2340-2480	1023-1071	1591
20°	2300-2460	1057-1116	1607
15°	2660-2800	920-957	1523
16°	2650-2790	969-1010	1540
17°	2630-2780	1016-1062	1557
18°	2620-2760	1066-1112	1574
19°	2600-2740	1113-1161	1591
20°	2560-2720	1152-1210	1607

Floor to ceiling height "A" 2810 - 3300. All dimensions in mm

Angle	Floor to ceiling range	Setdown point "B"	Swivel range "C"
15°	2930-3070	992-1030	1740
16°	2910-3050	1044-1084	1761
17°	2890-3040	1096-1142	1781
18°	2880-3020	1147-1196	1802
19°	2860-3000	1202-1251	1822
20°	2840-2980	1254-1305	1842
21°	2820-2960	1306-1359	1862
22°	2810-2940	1357-1414	1882
15°	3190-3300	1062-1091	1740
16°	3180-3290	1122-1153	1761
17°	3160-3270	1178-1212	1781
18°	3140-3250	1235-1271	1802
19°	3120-3230	1292-1330	1822
20°	3090-3210	1345-1389	1842
21°	3070-3190	1402-1434	1862
22°	3050-3160	1458-1503	1882

NOTE: ALL INFORMATION CONTAINED IN THIS DOCUMENT IS STRICTLY CONFIDENTIAL. THIS DRAWING IS THE PROPERTY OF PREMIER LOFT LADDERS AND MUST NOT BE REPRODUCED WITHOUT PRIOR PERMISSION.



PREMIER LOFT LADDERS
2 Dawson Drive,
Trimley St Mary,
Felixstowe, Suffolk. IP11 0YW

Tel: 0845 9000 195
Fax: 01394 214413

www.premierloftladders.co.uk



© All rights reserved		Report all discrepancies		Do not scale drawings	
Other sizes and different ceiling heights are available on request	First Issue	Date	Name	Designo: 3 part folding wooden ladder	Scale 1:10
	A	17.03.2016	Hügel		
		03.05.2016	JP		
	6000392		The data on the drawings is for information only. All dimensions must be checked on site. No responsibility is taken for errors.		