

### Supreme with steel hatchbox for flat roofs, F90

**Ready to install element**  
**Safety tested:** tested according to DIN EN 14975 by TÜV Süd  
**Thermal properties:** U - Value lower cover F90 = 0.93 W/m<sup>2</sup> K  
 Calculation of the isolated area according to DIN EN ISO 6946 by manufacturer

Scissor unit: die-cast aluminium  
 Load bearing capacity per tread 200 kg or 500 kg / m<sup>2</sup> of the entire component  
 Tread depth 14 cm (16 cm)

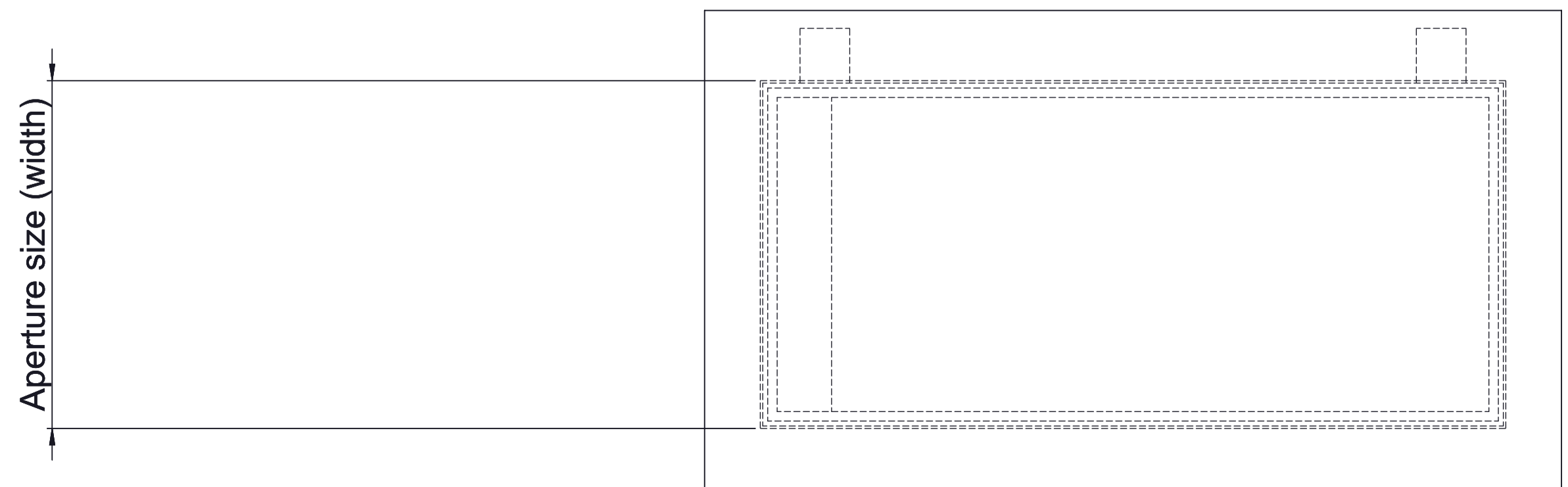
**Custom sizes:**  
 Custom sizes are available on request

Aperture length depends on the number of treads		Space required in cm		
Treads	Aperture size (length)	Floor to ceiling height "A"	Setdown point "B"	Swivel range "C"
9	101.5 - 166	220 - 250	129 - 123	136
10	111.5 - 166	250 - 279	139 - 133	146
11	121.5 - 166	279 - 309	149 - 142	156
12	131.5 - 166	309 - 339	159 - 151	167
13	141.5 - 166	339 - 369	186 - 178	192
14	151.5 - 166	369 - 399	197 - 189	203
15	161.5 - 166	399 - 430	208 - 199	215

Hatchbox external dimensions = aperture size - 2cm

Top cover thermal insulation values		
Insulation installed on site "D" max.	U - Value W/m <sup>2</sup> K	Seal type
35 mm	1.1	Single seal
40 mm	0.68	Double seal
80 mm	0.38	Double seal
100 mm	0.31	Double seal

NOTE: ALL INFORMATION CONTAINED IN THIS DOCUMENT IS STRICTLY CONFIDENTIAL. THIS DRAWING IS THE PROPERTY OF PREMIER LOFT LADDERS AND MUST NOT BE REPRODUCED WITHOUT PRIOR PERMISSION.



PREMIER LOFT LADDERS  
 2 Dawson Drive,  
 Trimley St Mary,  
 Felixstowe, Suffolk. IP11 0YW  
 Tel: 0845 9000 195  
 Fax: 01394 214413  
 www.premierloftladders.co.uk

Other sizes and different ceiling heights are available on request	6000286	Supreme with steel hatchbox for flat roofs, F90	Scale 1:10
--	---------	---	------------

The data on the drawings is for information only. All dimensions must be checked on site. No responsibility is taken for errors.