

PREMIER LOFT LADDERS

2 Dawson Drive, Trimley St Mary
Felixstowe, Suffolk IP11 0YW

Tel: 0845 9000 195 Fax: 01394 214413
email: sales@premierloftladders.co.uk
www.premierloftladders.co.uk

PREMIER LOFT LADDERS

Premier Loft Ladders Ltd

Registered office:
2 Dawson Drive,
Trimley St Mary,
Felixstowe,
Suffolk. IP11 0YW
0845 9000 195 telephone
01394 214413 fax
sales@premierloftladders.co.uk

Visit us on the web at
www.premierloftladders.co.uk

Because of developments in technology, these data or procedures may be subject to change.
Consequently, we advise users to review their continuing validity annually.

Aug 2006 Produced in England by IBIS Documentation Services. www.ibisdoc.com

Installation Instructions: Guard Rail

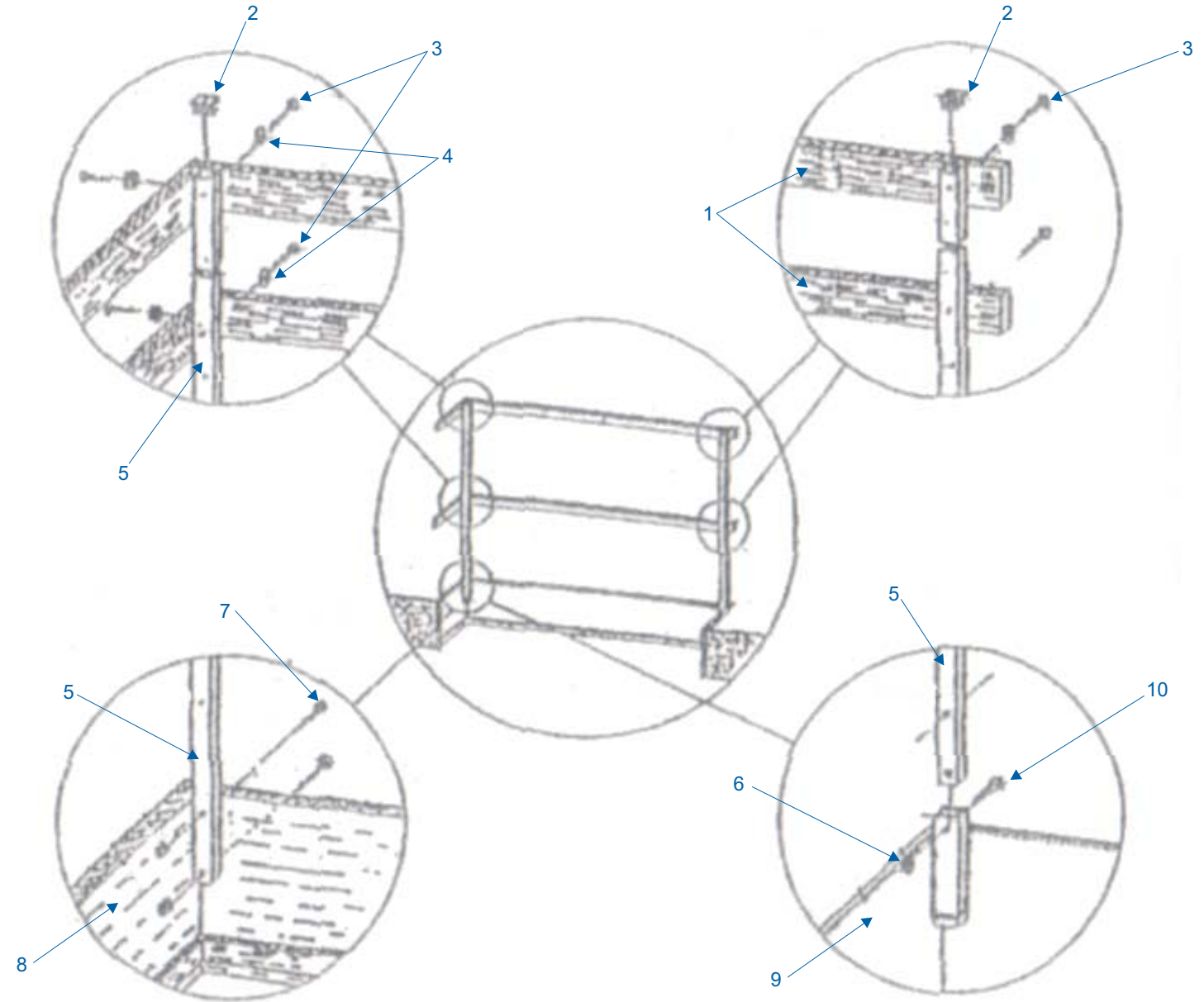


Premier Loft Ladders Ltd Registered Office: 2 Dawson Drive, Trimley St Mary, Felixstowe, Suffolk. IP11 0YW
Registered in England No. 4941576
All business is subject to Premier Loft Ladders Ltd. Terms & Conditions

Guard Rail

For added protection on the upper level, a railing can be provided that fits around three sides of the open hatch.

1. Longitudinal and lateral strips (pre-drill to accept 6 mm tube).
2. Finishing plug.
3. Self tapping screw S16, 3x32 DIN 6928.
4. Washer 8.4/20 x 1.5.
5. Tube (insert and align perpendicularly).
6. Hexagon nut M6 DIN934.
7. Saucer head screw M6 x 45 DIN803.
8. Wooden hatch box.
9. Steel hatch box.
10. Hexagon head bolt M6 x 30 DIN933.



Wooden Hatch Box

Steel Hatch Box